

# HURCO<sup>®</sup>

# VMX42

## The industry workhorse is powerful and fast.



The VMX42, part of Hurco's signature line of vertical machining centers, matches its industry-leading productivity with its flexibility. It has been created specifically to take advantage of Hurco's powerful control with WinMax<sup>®</sup> software.

The VMX42 provides greater part accuracy and better surface finish by using digital drives, larger ballscrews and linear rails, plus heavier servo drives. It was specifically designed and built for speed in every area. The increased metal removal rates and higher feed rates significantly decrease part cycle times.

		VMX42	
X, Y, Z Axis Travel, inches (mm)		42 x 24 x 24 (1,067 x 610 x 610)	
Table Size, inches (mm)		50 x 24 (1,270 x 610)	
Max Weight on Table, lbs (Kg)		3,000 (1,360)	1,500 (680)
Peak Spindle Motor, hp (Kw)		24 (18)	29 (21.6)
Max Spindle Motor Torque, ft lbs (Nm) @ rpm	10k	210 (285) @ 600	105 (142) @ 1,450
	12k	175 (237) @ 720	N/A
	15k	140 (190) @ 900	N/A
Rapid Traverse X, Y / Z axis, inches (M) / min		1,378 / 1,181 (35 / 30)	1,181 / 787 (30 / 20)
Tools, Standard / Option		24 / 40 CAT (BT) 40	
Positioning, inches (mm)		±0.0002 (0.005)	
Repeatability, inches (mm)		±0.0001 (0.0025)	
Machine Weight, lbs (Kg)		14,525 (6,590)	14,080 (6,400)

### Best in class features

- Huge work cube (50% larger on average than competitive models) lets the operator schedule a wider variety of work.
- Robust conversational and NC programming tools provide the shop with options on how best to approach a particular part.
- Advanced NC interpreter includes powerful software features, such as graphical Data Block Search, which eliminates the tedious task of searching through hundreds of lines of code. Use the rendered graphic of the part and simply point to the spot you need to adjust—the software automatically finds the corresponding line of code.
- Exceptional cutting feed rates of up to 900 ipm with Hurco's UltiMotion feature. Couple that with surface finishing and other process automation software options to get the fastest cut with the best quality.
- Conversational probing aligns the machine to the part instead of aligning the part to the machine—saving valuable time during setup.
- Ever-improving reliability makes the VMX42 an efficient workhorse.

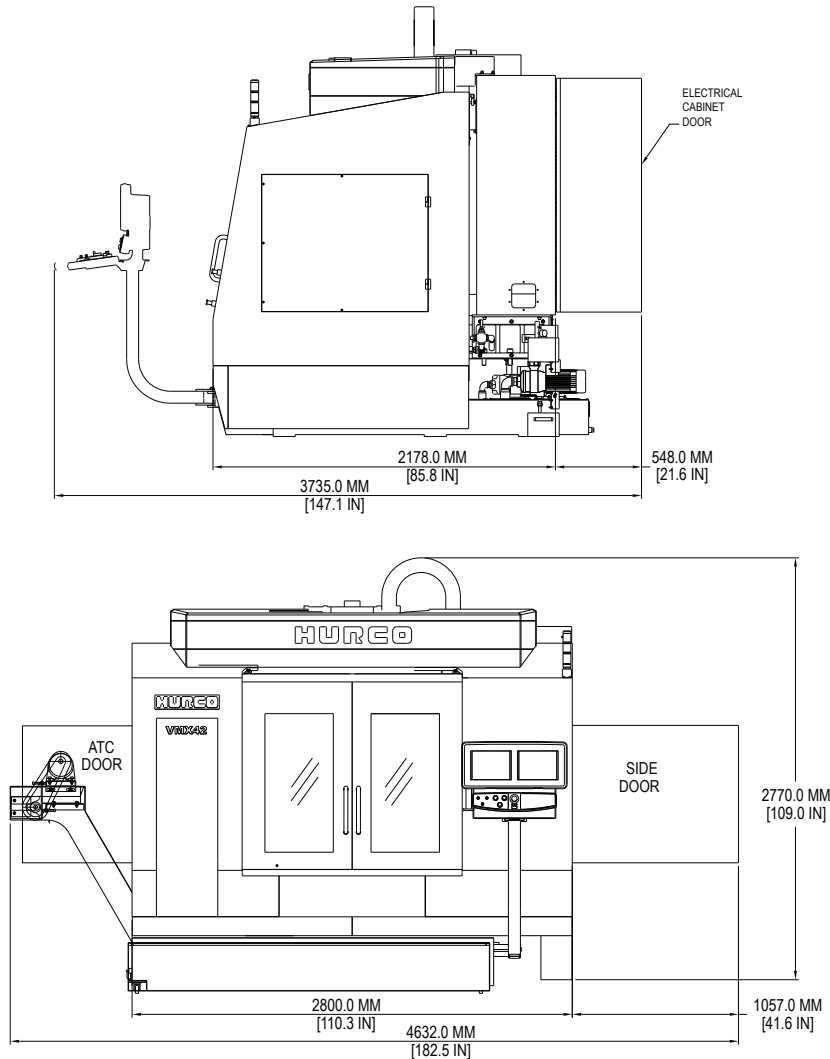
Optimum machine performance is reliant upon installation conditions at the facility, such as power supply, air supply, and ambient air conditions.

800.634.2416 info@hurco.com Find more product information and specifications at [www.hurco.com](http://www.hurco.com)

Machines shown with options. Prices and information may change without notice. 8.10

# HURCO<sup>®</sup>

# VMX42



**Shipping Dimensions, inches (mm)** 116.2" x 90.6" x 100" (2,950 x 2,300 x 2,540)

### Service Requirements

Power Required 30 KVA (full load)  
 Voltage Required 200-240 VAC / 50-60 Hz  
 Air Required 5 CFM @ 80-100 psi (0.14 M<sup>3</sup> / min @ 6-8 bar)

# HURCO<sup>®</sup>

### Hardware Features / Options

#### Coolant / Chip Removal

- Chip Conveyor
- Coolant Screen System
- Flood Coolant
- High Pressure CTS
- Telescopic Way Covers
- Top Dome
- Wash Down Gun and Air Gun
- Wash Down System

#### Spindle / Motor

- Dual Wound Motor
- High Speed Servo Systems
- Low Air Pressure Switch
- Motor Brake in Z-Axis
- Spindle Chiller

#### Tooling / Accessories

- Part and Tool Probing
- Rotary Tables
- Tooling and Vises
- Trunnion Tables

#### Frame / Cabinet

- Air Conditioner
- Door Interlock
- Dual Work Lights
- Easy Access Side Door with Latch
- Fully Contained Tool Storage
- Linear Glass Scales (X, Y, Z)
- Linear Rails
- Lube Oil Separator
- Power Cabinet Heat Exchanger
- Solid One Piece High-Grade Cast Iron Bed

### WinMax Software/Automation Packages

- Advanced Verification Graphics with 3D Solid Rendering
- Swept Surface with 3D Mold
- NC/Conversational Merge
- SelectSurface Finish Quality (SFQ)
- Tool Center Point Management
- Tool and Material Library
- 4th Axis Rotary Wrap
- UltiPocket with Helical Ramp Entry
- DXF Transfer
- Tool Probing
- Part Probing
- Industry Standard NC (ISNC)
- NC Productivity Package (NCPP)
- WinMax Desktop
- UltiNet LAN Interface
- Universal Rotary
- UltiMotion
- Slots

800.634.2416 info@hurco.com Find more product information and specifications at [www.hurco.com](http://www.hurco.com)

Machines shown with options. Prices and information may change without notice. 8.10