

VMX64

The speed, accuracy, and reliability you need.



As is the case with all Hurco machines, the Hurco control and its capabilities give the VMX64 the unmatched ability to increase productivity and efficiency.

The 40-taper VMX64 provides the option of either a 24 or 40 station automatic tool changer. The VMX64-50T comes with a 50 taper spindle built to take the heavier cutting loads and maintain high cut quality. It also comes standard with a 32-station tool changer and an 8,000 rpm spindle. All Hurco VMX models include many standard features that are typically offered as options on most other vertical machining center brands.

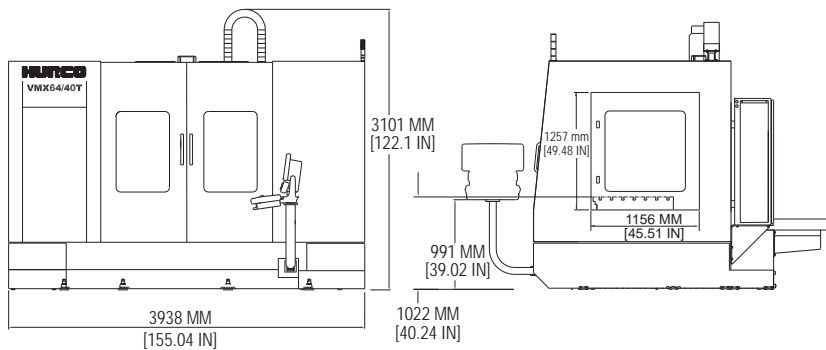
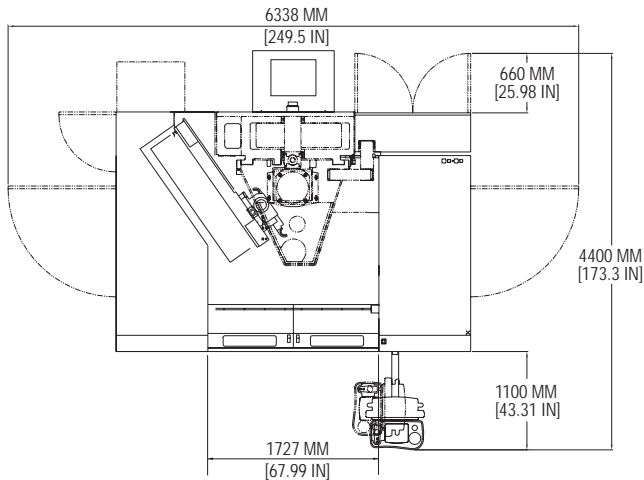
		VMX64	
X, Y, Z Axis Travel, inches (mm)		64 x 34 x 30 (1,626 x 864 x 762)	
Table Size, inches (mm)		66 x 35 (1,676 x 889)	
Max Weight on Table, lbs (Kg)		6,000 (2,722)	
Peak Spindle Motor, hp (Kw)		24 (18)	29.7 (21.6)
Max Spindle Motor Torque, ft lbs (Nm) @ rpm	6.5k	N/A	312 (423) @ 500
	8k	N/A	260 (353) @ 600
	10k	210 (285) @ 600	N/A
	12k	175 (237) @ 720	N/A
	15k	140 (190) @ 900	N/A
Rapid Traverse X, Y / Z axis, inches (M) / min		709 / 530 (18 / 13.5)	
Tools, Standard / Option		24 / 40 CAT (BT) 40	32 CAT (BT) 50
Positioning, inches (mm)		±0.0002 (0.005)	
Repeatability, inches (mm)		±0.0001 (0.0025)	
Machine Weight, lbs (Kg)		29,220 (13,600)	32,000 (14,515)

Optimum machine performance is reliant upon installation conditions at the facility, such as power supply, air supply, and ambient air conditions.

Best in class features

- Larger door opening gives you more room to load and unload. Easy overhead crane access to load large, heavy parts or fixtures.
- Faster swing arm ATC with more tool pockets standard and the more reliable electrical indexer.
- Huge work cube (50% larger on average compared to competitive models) lets you schedule a wider variety of work.
- Advanced NC interpreter includes powerful software features, such as graphical Data Block Search, which eliminates the tedious task of searching through hundreds of lines of code. Use the rendered graphic of the part and simply point to the spot you need to adjust—the software automatically finds the corresponding line of code.
- Hurco products are UL, CSA, NFPA 79 independently certified, with CE certification optional.

VMX64



Hardware Features / Options

Coolant / Chip Removal

- Chip Conveyor
- Coolant Screen System
- Flood Coolant
- High Pressure CTS
- Telescopic Way Covers
- Top Dome
- Wash Down Gun and Air Gun
- Wash Down System

Spindle / Motor

- Dual Wound Motor
- High Speed Servo Systems
- Low Air Pressure Switch
- Motor Brake in Z-Axis
- Spindle Chiller

Tooling / Accessories

- Tooling and Vises
- Trunnion Tables
- Rotary Tables

Frame / Cabinet

- Air Conditioner
- Door Interlock
- Dual Work Lights
- E-Stop Button on Control Head
- Easy Access Side Door with Latch
- Fully Contained Tool Storage
- Linear Glass Scales (X, Y, Z)
- Linear Rails (Box ways on Z-axis)
- Lube Oil Separator
- Power Cabinet Heat Exchanger
- Solid One Piece High-Grade Cast Iron Bed

WinMax Software/Automation Packages

- Advanced Verification Graphics with 3D Solid Rendering
- Swept Surface with 3D Mold
- NC/Conversational Merge
- SelectSurface Finish Quality (SFQ)
- Tool Center Point Management
- Tool and Material Library
- 4th Axis Rotary Wrap
- UltiPocket with Helical Ramp Entry
- DXF Transfer
- Tool Probing
- Part Probing
- Industry Standard NC (ISNC)
- NC Productivity Package (NCPP)
- WinMax Desktop
- UltiNet LAN Interface

Shipping Dimensions, inches (mm) 175.2" x 113.8" x 131.9" (4,450 x 2,891 x 3,350)

Service Requirements

- Power Required 40 taper: 38 KVA (full load) / 50 taper: 40 KVA (full load)
- Voltage Required 200-240 VAC / 50-60 Hz
- Air Requirements 5 CFM @ 80-100 psi (0.14 M³ / min @ 6-8 bar)