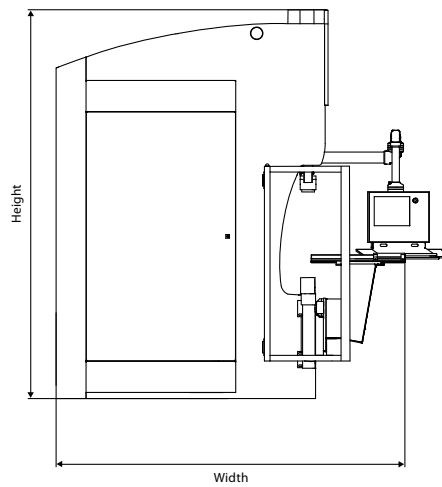
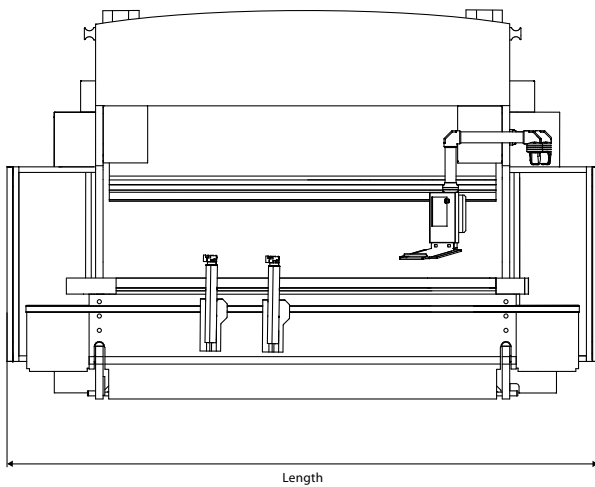


Technical Data Hämmerle 3P



Types	Bending length	Length	Width	Height
Hämmerle 3P 100	2100	3720	2730	2745
Hämmerle 3P 150	3100	4740	2950	3170
Hämmerle 3P 250	3100	4780	2990	3345
Hämmerle 3P 250	4100	5780	2990	3345

figures in mm

Types		Hämmerle 3P 100	Hämmerle 3P 150	Hämmerle 3P 250	Hämmerle 3P 250
Tonnage	kN	1000	1500	2500	2500
Bending length	mm	2100	3100	3100	4100
Standard stroke	mm	265	400	400	400
Open height	mm	780	915	915	915
Distance between side frames	mm	2200	3200	3200	4200
Throat	mm	250	250	250	250
Lower beam width	mm	100	120	160	160
Working height	mm	1060	1060	1060	1060
Maximum backgauge range in X	mm	1200	1200	1200	1200
X-axis travel	mm	600	600	600	600
X-axis speed	mm/s	500	500	500	500
X-axis positioning accuracy	+/- mm	0.02	0.02	0.02	0.02
R-axis travel	mm/s	250	250	250	250
R-axis speed	mm	200	200	200	200
R-axis positioning accuracy	+/- mm	0.1	0.1	0.1	0.1
Z-axis travel	mm	2000	3000	3000	4000
Z-axis speed	mm/s	1000	1000	1000	1000
Z-axis positioning accuracy	+/- mm	0.1	0.1	0.1	0.1
Y approach speed	mm/s	180	180	180	180
Y working speed	mm/s	1–10	1–10	1–10	1–10
Y return speed	mm/s	150	150	150	150
Y positioning accuracy	mm	0.004	0.004	0.004	0.004
Automatic, dynamic crowning					hydraulic cushion
Hydraulic tool clamping		yes	yes	yes	yes
Sliding table	positions	4	4	4	4
Movable front workpiece supports		750	750	750	750
Capacity of main motor	kW	15	18.5	30	30
Electrical supply	kW	19	22	34	34
Voltage					3 x 400 V, 50/60 Hz
Oil capacity	l	350	600	800	850
Weight	t	10	15	20.5	23
Color					standard
Machine assembly					overfloor
Operator terminal		Bystronic 2D and 3D graphical control, ergonomic operator panel with TFT-based 15" color LCD, membrane and computer keyboard, and mouse. Operating system: Windows XP			
Safety equipment				operator side: safety category 4 access protection behind: safety category 2	

The right to make changes to dimensions, construction, and equipment is reserved. ISO-9001-certified

Your contact
www.bystronic.com