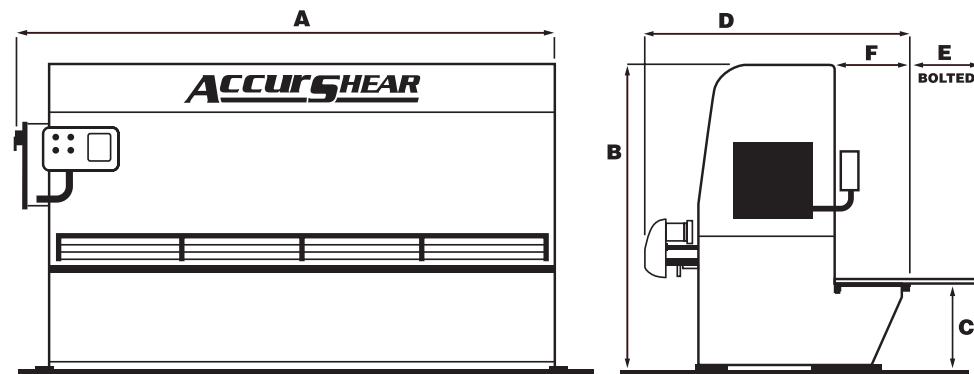


3/8", 1/2" CAPACITY

6375, 6500 SERIES

STANDARD FEATURES

- Shear capacity up to 80,000 tensile and 44,000 yield strength.
- Pendant control c/w on/off buttons, mode selector switch, and stroke control dial.
- Backgauge control includes LED display, inch or metric conversion, go-to-position function, 99 pre-select programs, hour meter and stroke counter.
- 36" backgauge travel with automatic swing up backstop at full extension.
- 4-edged blades, top and bottom, high carbon, shock resisting.
- 3 position footswitch control.
- 4' squaring arm c/w steel rule with 1/16" and 1 mm increments.
- Manual quick blade clearance adjustment on 650010 and 650012 models.
- Power blade clearance on 650014 and larger models.
- Shadow light and line.
- Hand slots in table.
- T-slot in front of table.
- Ball transfers in table for 6500 Series (optional for 6375 Series).
- Oil cooler.



Model Number	Capacity Inches	Length Feet	Knife Size Inches	Number Of Hold Downs	Hold-down Tonnage	Cycles Per minute		High Speed		Motor H.P.	Overall Dimensions						Approx. Weight Lbs.
						Full Stroke	Short Stroke	Full Stroke	Short Stroke		A	B	C	D	E	F	
63758	3/8	8	1X3X100	13	13	24	46	31	55	30	124	88	32	85	22	21	19,000
637510	3/8	10	1X3X124	16	16	21	44	29	50	30	148	88	32	87	20	23	21,000
637512	3/8	12	1X3X148	19	19	18	40	26	46	30	172	90	33	90	17	26	27,000
637514	3/8	14	1X3X172	22	22	15	36	23	40	30	196	90	33	95	12	31	36,000
637516	3/8	16	1X3X196	25	25	13	33	20	38	30	221	91	34	95	12	31	45,000
637520	3/8	20	1X3X244	31	31	11	25	16	28	30	269	93	36	96	11	32	71,000
65008	1/2	8	1X4X100	13	16	20	42	25	48	40	126	97	34	88	20	22	22,000
650010	1/2	10	1X4X124	16	20	18	40	23	46	40	150	97	34	90	17	25	28,000
650012	1/2	12	1X4X148	19	24	16	38	21	44	40	174	97	34	94	13	28	33,000
650014	1/2	14	1X4X172	22	28	14	36	18	42	40	198	97	34	96	11	30	46,000
650016	1/2	16	1X4X196	25	31	12	34	15	40	40	222	100	36	98	9	32	60,000
650020	1/2	20	1X4X244	31	39	10	32	14	38	40	271	100	36	100	8	33	85,000

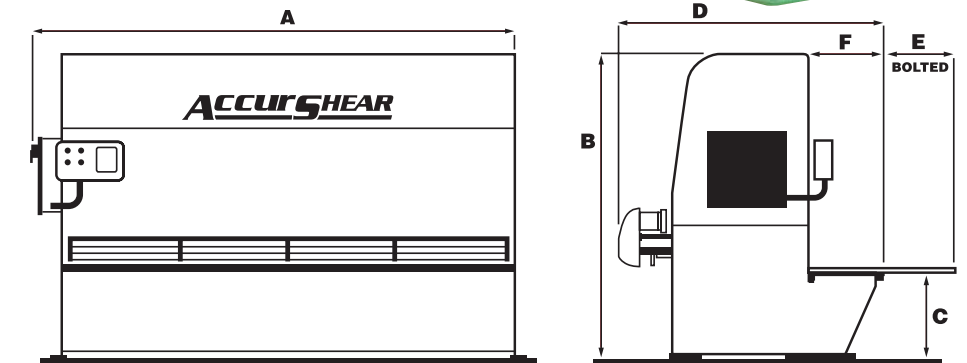
Specifications are subject to change without notice. Capacities are based on 80,000 tensile/44,000 yield strength steel.

5/8", 3/4", 1" CAPACITY

6625, 6750, 61000 SERIES

STANDARD FEATURES

- Shear capacity up to 80,000 tensile and 44,000 yield strength.
- Pendant control c/w on/off buttons, mode selector switch, and stroke control dial.
- Backgauge control includes LED display, inch or metric conversion, go-to-position function, 99 pre-select programs, hour meter and stroke counter.
- 48" backgauge travel with automatic swing up backstop at full extension.
- 4-edged blades, top and bottom, high carbon, shock resisting.
- 3 position footswitch control.
- 4' squaring arm c/w steel rule with 1/16" and 1 mm increments.
- Power blade clearance adjustment.
- Shadow light and line.
- Hand slots in table.
- T-slot in front of table.
- Ball transfers in table.
- Oil cooler.



Model Number	Capacity Inches	Length Feet	Knife Size Inches	Number Of Hold Downs	Hold-down Tonnage	Cycles Per minute		High Speed		Motor H.P.	Overall Dimensions						Approx. Weight Lbs.
						Full Stroke	Short Stroke	Full Stroke	Short Stroke		A	B	C	D	E	F	
662510	5/8	10	1 1/8 x 5 x 124	16	32	14	35	18	40	50	153	105	36	105	16	24	40,000
662512	5/8	12	1 1/8 x 5 x 148	19	38	12	32	16	37	50	177	105	36	107	14	26	49,000
662514	5/8	14	1 1/8 x 5 x 172	22	44	11	29	14	34	50	201	105	36	109	12	28	59,000
662516	5/8	16	1 1/8 x 5 x 196	26	52	9	25	12	31	50	225	106	36	110	11	29	68,000
662520	5/8	20	1 1/8 x 5 x 244	30	60	7	21	9	27	50	274	110	38	111	10	30	90,000
675010	3/4	10	1 1/8 x 5 1/2 x 124	16	38	14	35	18	40	60	153	106	36	106	15	25	45,000
675012	3/4	12	1 1/8 x 5 1/2 x 148	19	45	12	32	16	37	60	177	106	36	108	13	27	50,000
675014	3/4	14	1 1/8 x 5 1/2 x 172	22	52	11	29	14	34	60	201	106	36	110	11	29	65,000
675016	3/4	16	1 1/8 x 5 1/2 x 196	26	62	9	25	12	31	60	225	106	38	111	10	30	78,000
675020	3/4	20	1 1/8 x 5 1/2 x 244	30	72	7	21	9	27	60	274	110	38	112	9	31	101,000
6100010	1	10	1 1/2 x 5 1/2 x 125	16	46	11	25	13	30	75	156	115	38	110	11	29	85,000
6100012	1	12	1 1/2 x 5 1/2 x 149	19	54	9	23	11	27	75	180	115	38	112	9	31	95,000
6100016	1	16	1 1/2 x 5 1/2 x 197	26	75	7	20	9	24	75	229	120	38	114	7	33	120,000

Specifications are subject to change without notice. Capacities are based on 80,000 tensile/44,000 yield strength steel.