



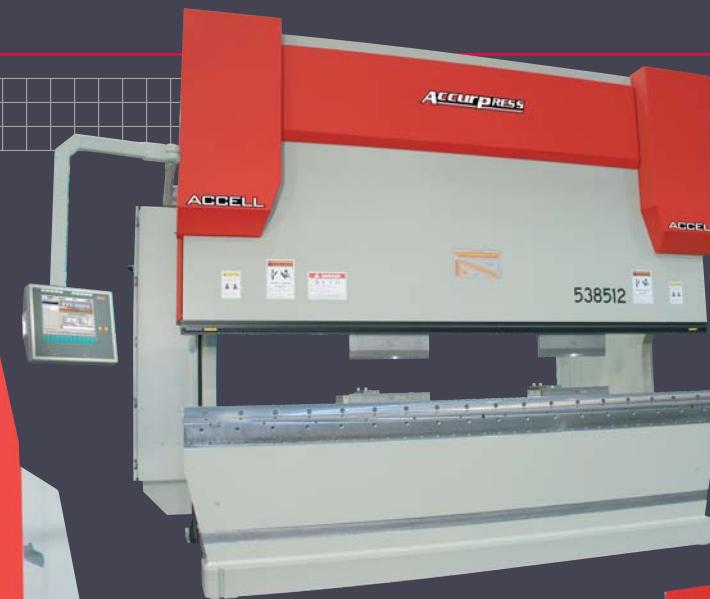
190 ton x 12'



235 ton x 12'



285 ton x 22'



385 ton x 12'



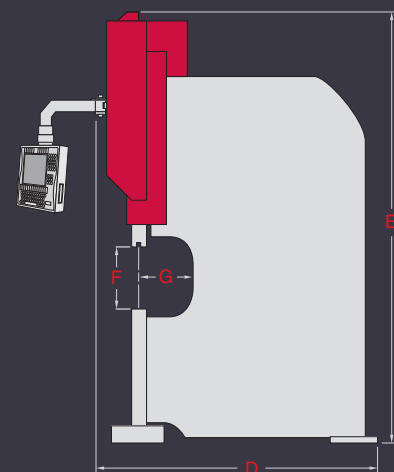
90 ton x 8'



150 ton x 12'

ACCELL SPECIFICATIONS

MODEL NUMBER	TONS	A	B	BED HEIGHT (Inches)	OVERALL DIMENSIONS (In.)			LENGTH OF RAM STROKE (Inches)	RAM OPEN HEIGHT (Inches)	RAM CLOSED HEIGHT (Inches)	G	APPROX. SPEEDS (Inches/minute)			MOTOR HP	APPROX. SHIPPING WEIGHT (lb)
		LENGTH OF BED (Inches)	DISTANCE BETWEEN FRAMES (Inches)		LENGTH	DEPTH	HEIGHT					APPROACH	BEND SPEED	RETURN		
5906	90	72	58	34	91	78	112	14	22	8	16	480	24-48*	320	15	18,000
5908	90	96	82	34	115	78	112	14	22	8	16	480	24-48*	320	15	20,000
59010	90	120	106	34	139	78	112	14	22	8	16	480	24-48*	320	15	26,000
515010	150	120	106	34	139	78	111	14	22	8	16	480	24-48*	320	20	26,000
515012	150	144	130	34	162	78	111	14	22	8	16	480	24-48*	320	20	28,000
515014	150	168	154	34	186	78	117	14	22	8	16	480	24-48*	320	20	30,000
519012	190	144	130	34	162	82	120	14	22	8	16	340	24-48*	280	30	32,000
519014	190	168	154	34	186	82	120	14	22	8	16	340	24-48*	280	30	36,000
519016	190	192	178	34	210	82	124	14	22	8	16	340	24-48*	280	30	40,000
523512	235	144	126	38	161	85	124	10	18	8	16	340	24-48*	280	30	34,000
523514	235	168	150	38	185	85	124	10	18	8	16	340	24-48*	280	30	36,000
523516	235	192	174	38	210	85	126	10	18	8	16	340	24-48*	280	30	40,000
528512	285	144	126	38	161	85	126	12	20	8	18	340	24	280	40	38,000
528514	285	168	150	38	185	85	126	12	20	8	18	340	24	280	40	42,000
♦528516	285	192	174	38	210	85	130	12	20	8	18	340	24	280	40	46,000
538512	385	144	126	38	157	88	133	12	20	8	18	340	24	280	50	43,000
♦538514	385	168	150	38	181	88	133	12	20	8	18	340	24	280	50	48,000
•538516	385	192	174	38	205	88	136	12	20	8	18	340	24	280	50	53,000



Ram Open Height (F) is measured from the bottom of the tool holder to the top of the bed.

* 24"/min at full tonnage. 48"/min at approximately 50% full rated tonnage.
 ♦ 528516 & 538514 — Model includes 12" bed cap.
 • 538516 — Model includes 12" bed cap and requires below floor lower bed.

Specifications are subject to change without notice.