

DETROIT HOIST & CRANE CO.

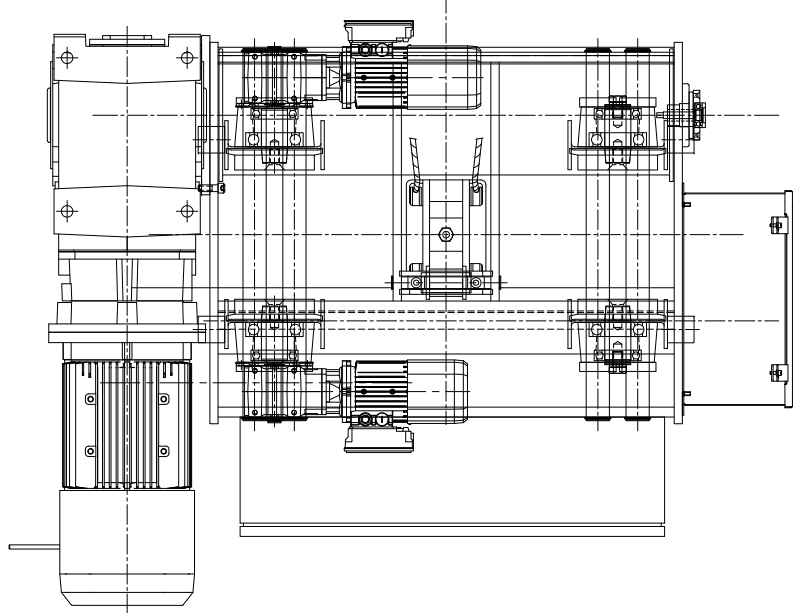
CUSTOMER: X
X
X

DRAWING # X DRAWN BY: / DATE
G. K. / 01-28-16

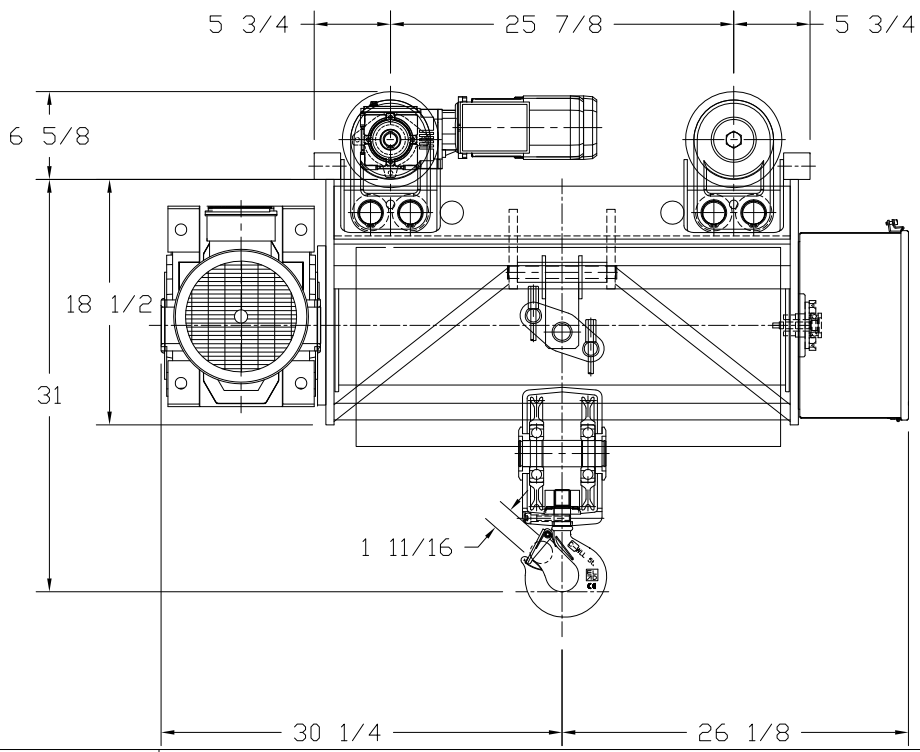
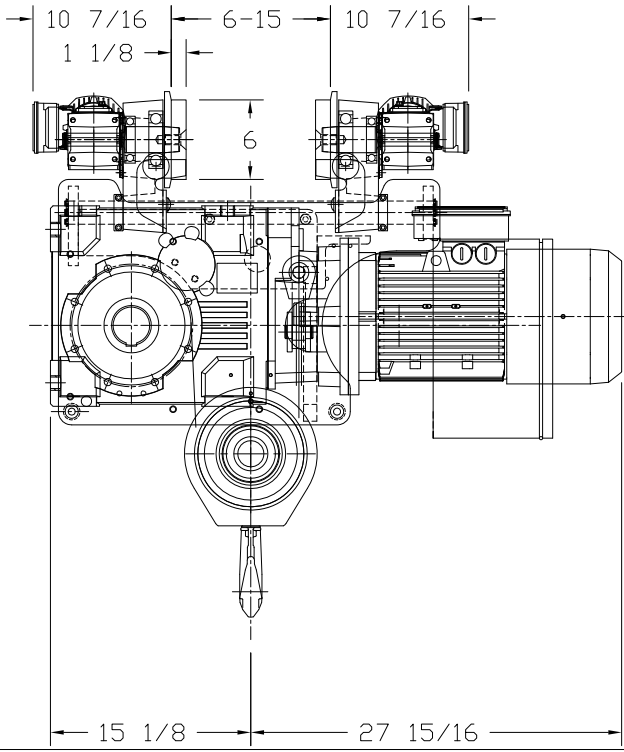
SCALE 1:1 DIRECTORY /

MODEL	DR10M32-20M80
CAPACITY	5 TON
LIFT / ROPE	32'-0" / TYPE 10MM 2PD
HOIST SPEED / HP	20/5 FPM (VFD) @ 7.8 kW
TRLY SPEED / HP	80/20 FPM (VFD) @ (2) .55 kW
POWER SUPPLY	460V / 3 PHASE / 60HZ
WHEEL LOAD	3375 LBS
SERVICE CLASS	D
HOIST WEIGHT	1650 LBS

NOTE: DIMENSIONS PROVIDED ON THIS DRAWING ARE FOR ESTIMATING PURPOSES ONLY. CERTIFIED DRAWINGS AVAILABLE AFTER CLEAR ORDER.



ADJUSTABLE TROLLEY GAUGE FROM 6" TO 15" BEAM WIDTH
MAX FLANGE THICKNESS 1-3/8"
(SPECIAL GAUGES & FLANGES OPTIONAL)



NOTE: SOME OPTIONS WILL CHANGE DIMENSIONAL HOIST LAYOUT

NOTE: X

1:1