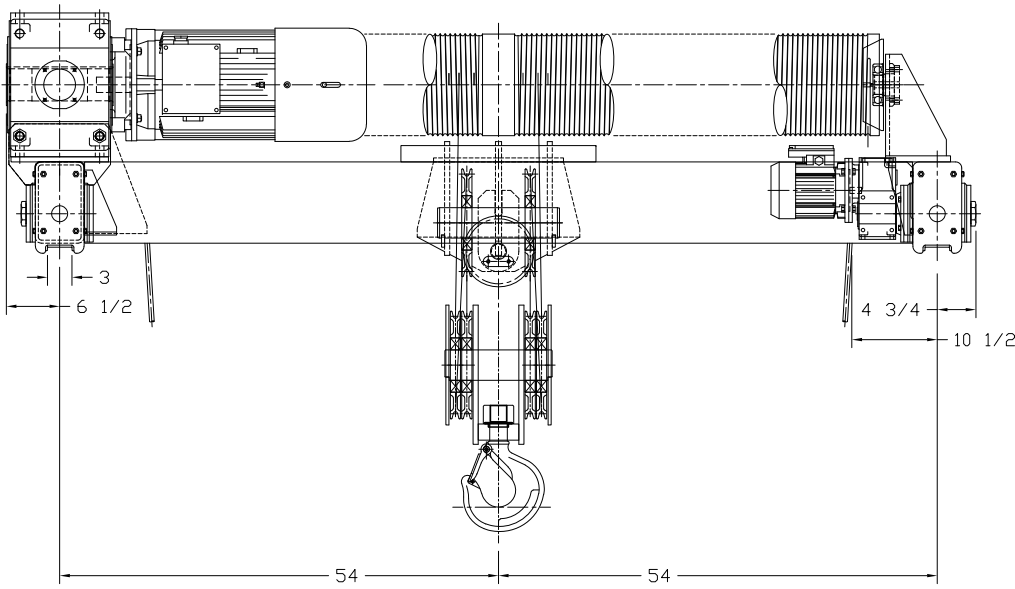
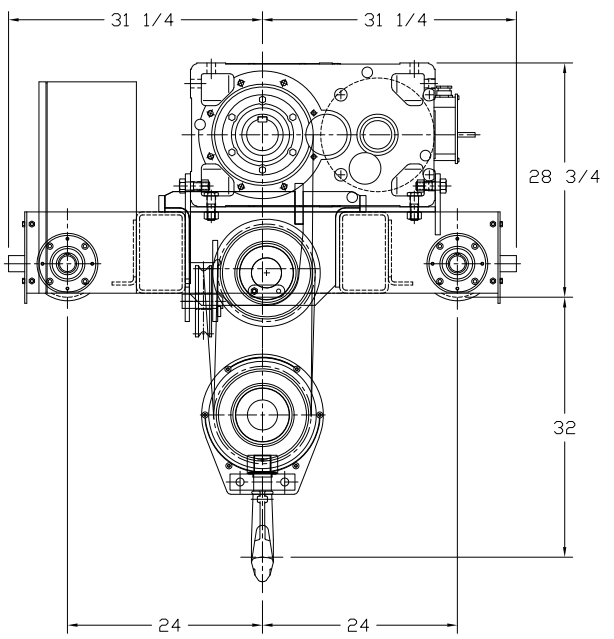
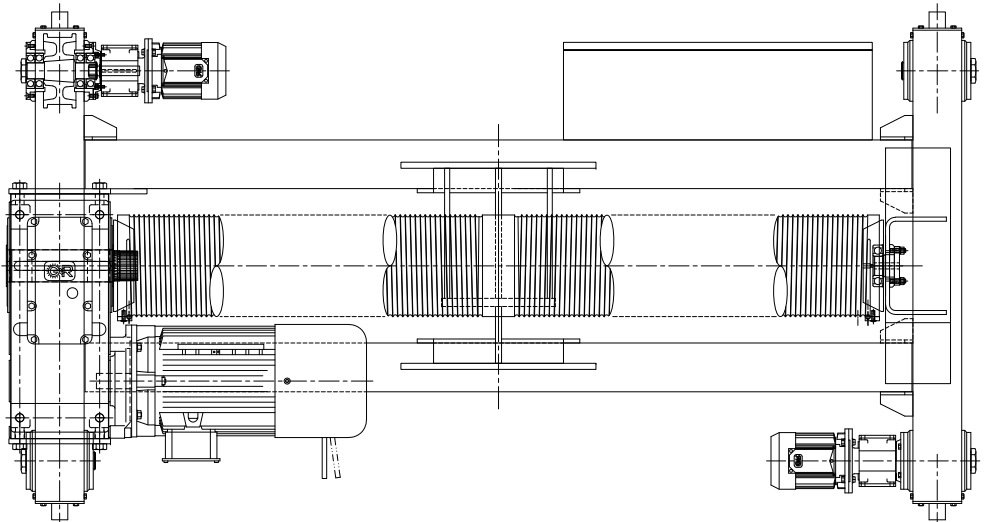
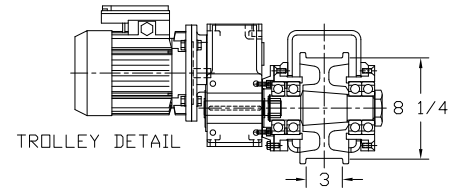


DETROIT HOIST & CRANE CO.

CUSTOMER X
X
X

NOTE: DIMENSIONS PROVIDED ON THIS DRAWING ARE FOR ESTIMATING PURPOSES ONLY. CERTIFIED DRAWINGS AVAILABLE AFTER CLEAR ORDER.

DRAWING # X	DRAWN BY: / DATE A. B. / 05-05-16
SCALE 1:1	DIRECTORY /
MODEL	DRF40T53-20M80
CAPACITY	20 TON
LIFT / ROPE	53'-8" / 14MM (9/16) 4PD
HOIST SPEED / HP	20 FPM / 5 STEP @ 22.5 KW 30 FPM @ 10 TON (90 HZ)
HOIST CONTROLS	40 HP CLOSED LOOP VECTOR
TRLY SPEED / HP	80 FPM / 5 STEP @ 2 x .9 KW
TROLLEY CONTROLS	5 HP SENSORLESS VECTOR
POWER SUPPLY	460V / 3 PHASE / 60HZ
RATING	CLASS D / H4
HOIST WEIGHT	X LBS



NOTE: SOME OPTIONS WILL CHANGE DIMENSIONAL HOIST LAYOUT