

DETROIT HOIST & CRANE CO.

CUSTOMER: X
X
X

DRAWING # X DRAWN BY: G. K. / DATE 02-13-14

SCALE 1:1 DIRECTORY /

MODEL D6B51-25

CAPACITY 3 TON

LIFT / ROPE 51'-8" / TYPE 10mm 2 PD

HOIST SPEED / kW 25/6 FPM (VFD) @ 4.25 kW

TRLY SPEED / kW N/A

POWER SUPPLY 460V / 3 PHASE / 60HZ

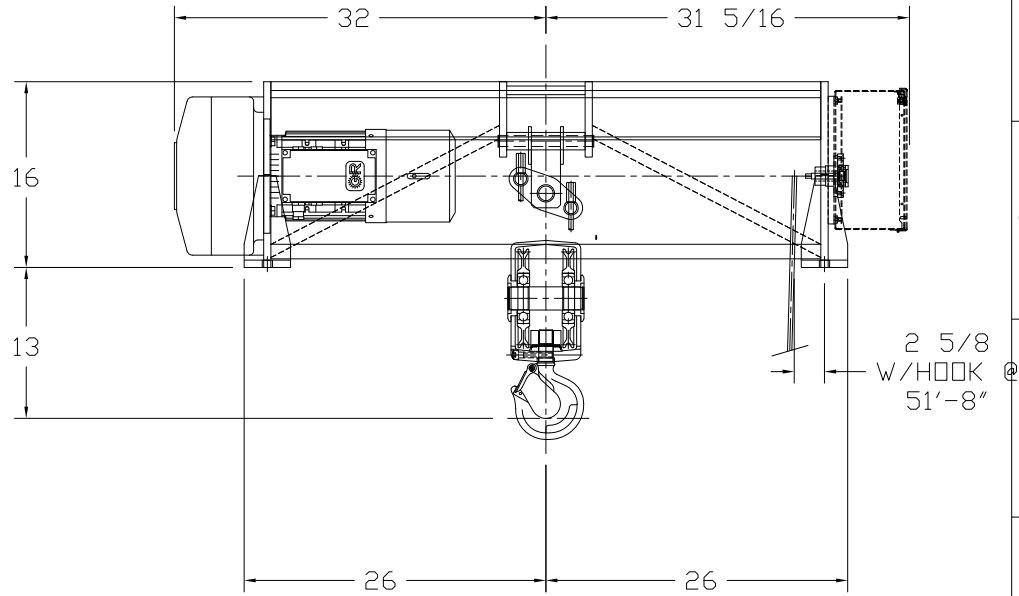
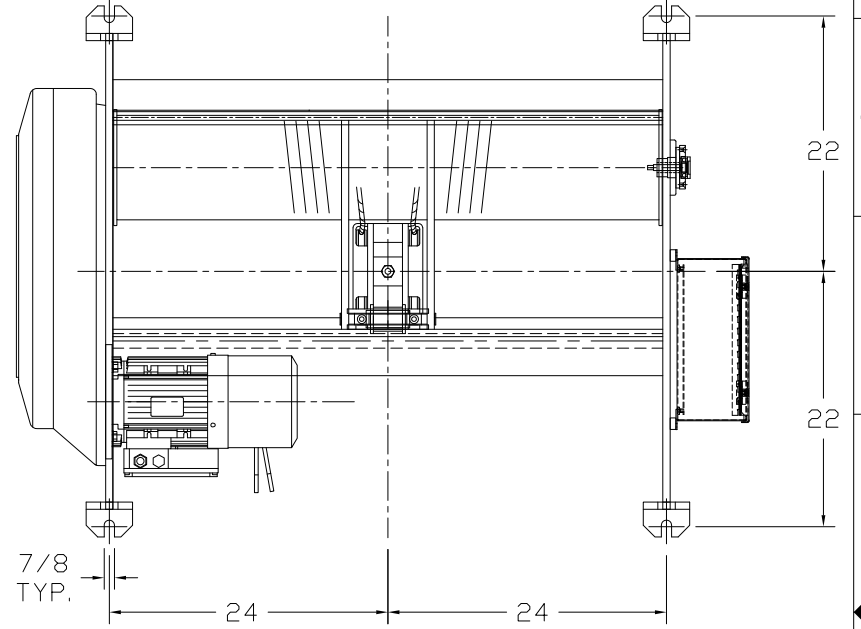
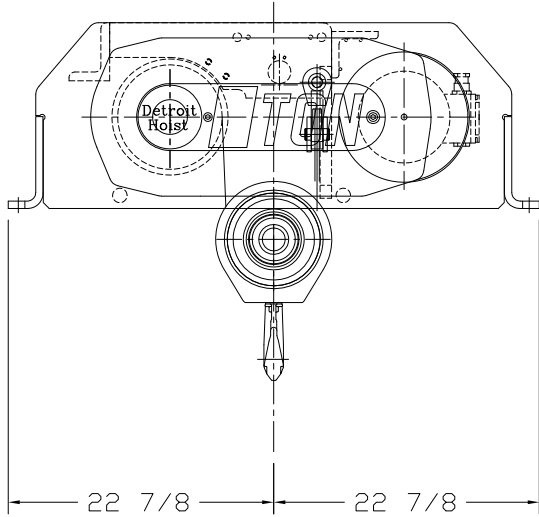
SERVICE CLASS D

WHEEL LOAD N/A

HOIST WEIGHT 1350 LBS

NOTE: DIMENSIONS PROVIDED ON THIS DRAWING ARE FOR ESTIMATING PURPOSES ONLY. CERTIFIED DRAWINGS AVAILABLE AFTER CLEAR ORDER.

NOTE: CONTROL ENCLOSURE NOT SHOWN, SHIPPED LOOSE.
ENCLOSURE SIZE: 9" X 15" X 32"
BOTTOM HINGE.



NOTE: SOME OPTIONS WILL CHANGE DIMENSIONAL HOIST LAYOUT / CERTIFIED DWG'S UPON REQUEST