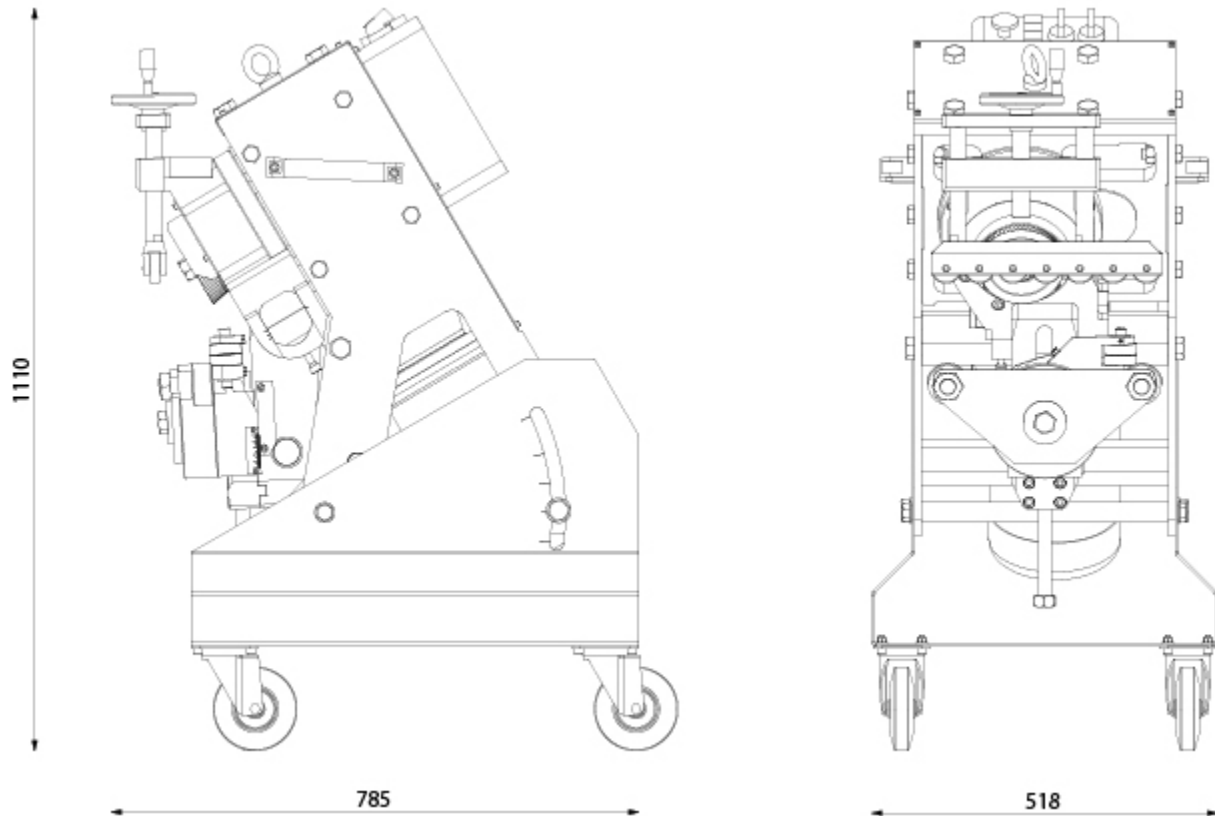


## GBC Plate Beveling Machine: Challenge 26



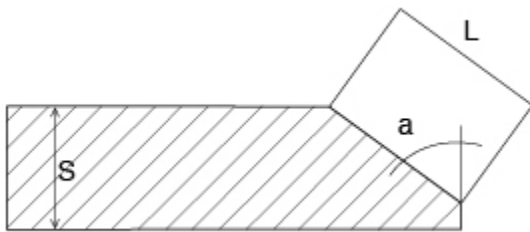
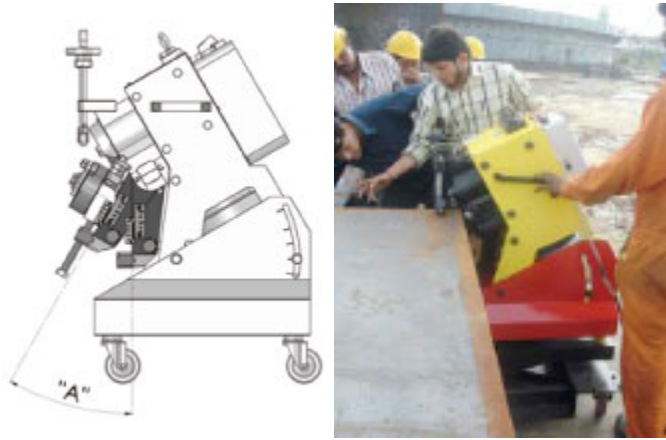
**Note :**

Completely silent! No More Grinding! The Challenge machine gives you a clean beveled surface saving time and money.

This model offers automatic self-feeding of the plate for the fast production bevels. Various angles from 22 to 55 degrees can be machined on different materials including stainless steel. There is no more need to change rollers to change the angle of bevel. Our cutter head can be adjusted from angle to angle.

T.R. Wigglesworth Machinery Co. 440-232-6660 @TRWIGGLESWORTH [sales@wigglesworth.com](mailto:sales@wigglesworth.com)

## GBC Plate Beveling Machine: Challenge 26



Electric motor power (kw)	Min. plate width (mm)	Plate thickness (mm)	Std. bevel angle (deg)	Dimension (mm)	Weight (kg)
2,2 / 3,1	90	8 - 50	22° 30' to 55	518 x 785 x 1110	340

Bevel angle	Max Depth Of Bevel	
	Carbon steel	Stainless steel
22° 30'	26 mm	22 mm
30°	26 mm	22 mm
37° 30'	22 mm	18 mm
45°	22 mm	18 mm
55°	20 mm	18 mm



T.R. Wigglesworth Machinery Co. 440-232-6660 @TRWIGGLESWORTH [sales@wigglesworth.com](mailto:sales@wigglesworth.com)



T.R. Wigglesworth Machinery Co. 440-232-6660 @TRWIGGLESWORTH [sales@wigglesworth.com](mailto:sales@wigglesworth.com)

T.R. Wigglesworth Machinery Co. 440-232-6660 @TRWIGGLESWORTH [sales@wigglesworth.com](mailto:sales@wigglesworth.com)

