

SOME OF MEGABORE'S OTHER PRODUCTS



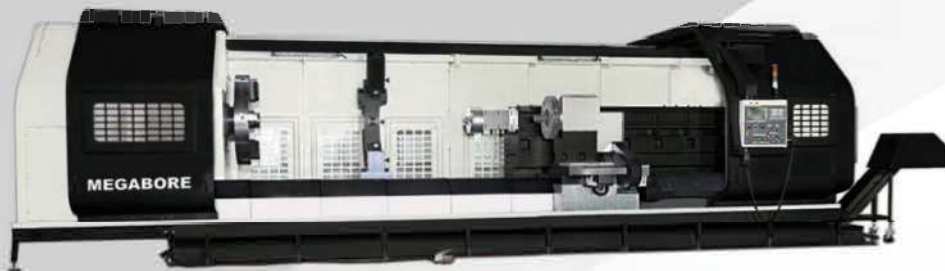
HEAVY DUTY SLANT AND FLAT BED CNC LATHES

Robustly built lathes that offer precision and efficient turning operations

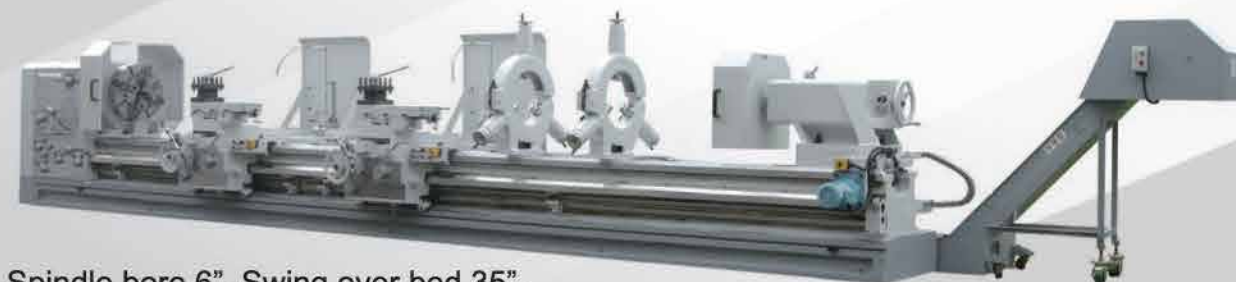


CNC AND MANUAL VERTICAL LATHES

Robustly built vertical lathes that offer precision and efficient turning operations



PB series, Spindle bore 6", Swing over bed 35", Distance between centres 280", twins saddle lathe



MEDIUM DUTY SLANT BED CNC LATHES

SS-27 series

<https://megaboremachinery.com>



MEGABORE

THE LEADING NAME IN HEAVY DUTY LATHES



MEGABORE

Peace of mind guaranteed !

Repeat orders from satisfied customers !

Our machines are operating in more than 50 countries worldwide !

MEGABORE MACHINERY INC.

USA OFFICE AND WAREHOUSE

3113 Farrell Road Houston 77073, USA
 Email: sales@megaboremachinery.com
 Web: <https://megaboremachinery.com>
 Cell: +918 836 5900 Fax: +(281) 784 2694
 Phone: +(281) 784 2621

AUSTRALIA OFFICE AND WAREHOUSE

No.14-28 South Road Braybrook 3019 Melbourne Australia
 Email: sales@espmach.com.au
 Web: <https://www.espmachinery.com.au>
 Cell: +61 419 883157 Fax: +(613) 9689 5093
 Phone: +(613) 9689 6044

MIDDLE EAST OFFICE

Sharjah Airport International Free Zone Z3 – 42. United Arab Emirates
 Email: uaeoffice@espmach.com.au
 Web: <https://espmachineryuae.com>
 Cell: +971 507 249 234 Fax: +(971) 6548 9640
 Phone: +(971) 6548 9630

PA SERIES HEAVY DUTY HOLLOW SPINDLE LATHES



Rear chip conveyor and full length splash guard is optional.

Outstanding Features :

- ✓ One piece bed, floor type casting.
- ✓ 2 shear bed way with extra way supporting the apron.
- ✓ All ways are hardened and ground.
- ✓ Alloy steel spindle with opposed taper roller bearings.
- ✓ Hardened and ground gears and shafts.
- ✓ Electromagnetic spindle brake.
- ✓ 18-speed geared headstock.
- ✓ 6-way rapid traverse and power feed to top slide.
- ✓ Totally enclosed universal inch / metric gear box.
- ✓ Carriage position device.
- ✓ Dual voltage spindle motor, 20 to 50 HP.
- ✓ Pressurized one shot lube system for cross slide and carriage.

Standard Accessories :

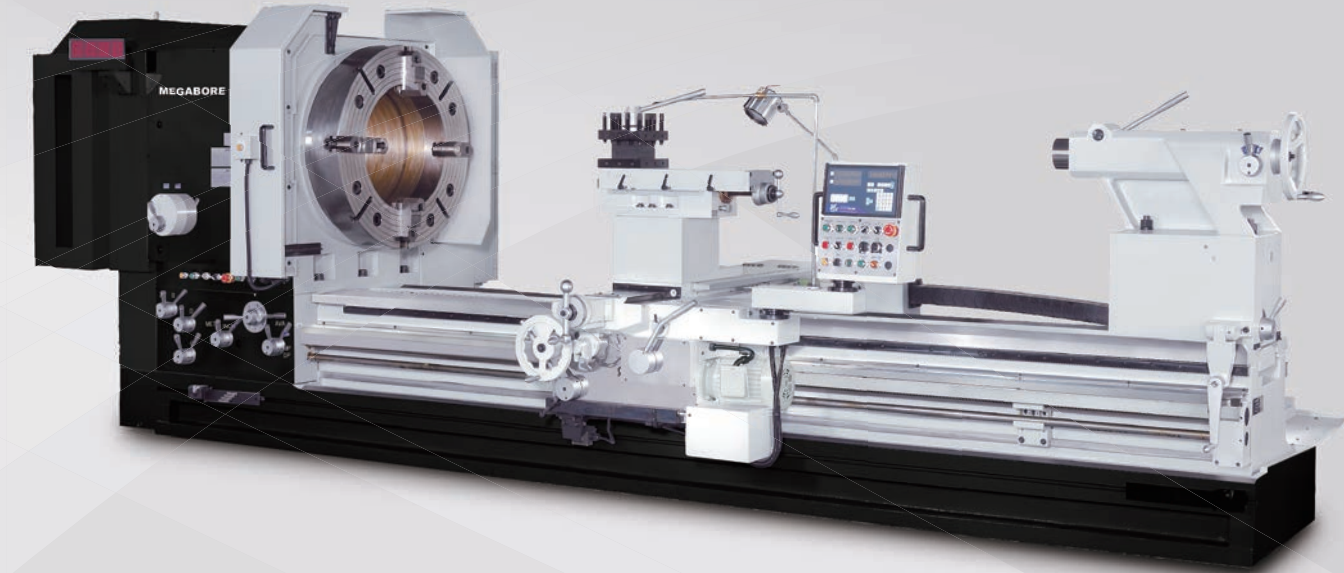
- ✓ 1 dead centre, MT #6
- ✓ 2-speed tailstock quill (manual)
- ✓ One piece stainless steel leadscrew cover
- ✓ Coolant pump
- ✓ Follow type splash guard
- ✓ Rear side chip and water collect plate
- ✓ Thread chasing dial
- ✓ Water and oil collect plate under apron
- ✓ Work lamp

Optional Accessories:

- ✓ Rear chip conveyor
- ✓ Bed's gap
- ✓ Other accessories please see page 11~14

PA series	PA-35	PA-40	PA-45	PA-50
Swing over bed	880mm	1,010mm	1,135mm	1,275mm
Swing over cross slide	615mm	745mm	875mm	1,015mm
Swing over bed gap	1,340mm	1,470mm	1,600mm	1,740mm
Distance between centers	1,500mm~12,000mm in 40" increments			
Spindle nose	A2-11~A2-32			
Spindle bore	6"~14"	6"~14"	6"~18"	6"~22"
Spindle motor	Standard-20HP ; Option-25HP,30HP,40HP,50HP			

PB SERIES HEAVY DUTY HOLLOW SPINDLE LATHES



Outstanding Features :

- ✓ One piece bed, floor type casting.
- ✓ 2 shear bed way with extra way supporting the apron.
- ✓ All ways are hardened and ground.
- ✓ Alloy steel spindle with opposed taper roller bearings.
- ✓ Hardened and ground gears and shafts.
- ✓ Electromagnetic spindle brake.
- ✓ 18-speed geared headstock.
- ✓ 6-way rapid traverse and power feed to top slide.
- ✓ Totally enclosed universal inch / metric gear box.
- ✓ Carriage position device.
- ✓ Dual voltage spindle motor, 30 to 50 HP.
- ✓ Pressurized one shot lube system for cross slide and carriage.

Standard Accessories :

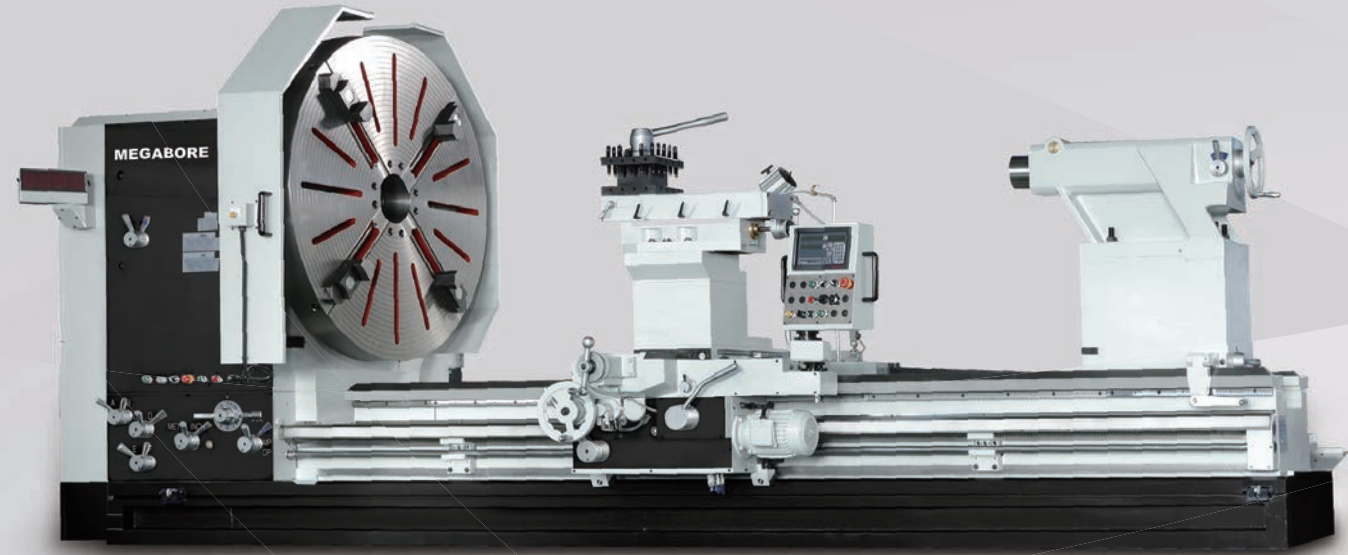
- ✓ 1 dead centre, MT #6
- ✓ 2-speed tailstock quill (manual)
- ✓ One piece stainless steel leadscrew cover
- ✓ Coolant pump
- ✓ Follow type splash guard
- ✓ Rear side chip and water collect plate
- ✓ Thread chasing dial
- ✓ Water and oil collect plate under apron
- ✓ Work lamp

Optional Accessories:

- ✓ Rear chip conveyor
- ✓ Bed's gap
- ✓ Other accessories please see page 11~14

PB series	PB-45	PB-50	PB-60
Swing over bed	1,165mm	1,280mm	1,530mm
Swing over cross slide	840mm	950mm	1,210mm
Swing over bed gap	1,610mm	1,730mm	1,980mm
Distance between centers	1,500mm~12,000mm in 40" increments		
Spindle nose	A2-11~A2-40		
Spindle bore	6"~18"	6"~24"	7"~30"
Spindle motor	Standard-30HP ; Option-40HP,50HP		

PC SERIES HEAVY DUTY LATHES



Outstanding Features :

- ✓ One piece bed, floor type casting.
- ✓ 2 shear bed way with extra way supporting the apron.
- ✓ All ways are hardened and ground.
- ✓ Alloy steel spindle with opposed taper roller bearings.
- ✓ Hardened and ground gears and shafts.
- ✓ Electromagnetic spindle brake.
- ✓ 18-speed geared headstock.
- ✓ 6-way rapid traverse and power feed to top slide.
- ✓ Totally enclosed universal inch / metric gear box.
- ✓ Carriage position device.
- ✓ Dual voltage spindle motor, 30 to 75 HP.
- ✓ Pressurized one shot lube system for cross slide and carriage.

Standard Accessories :

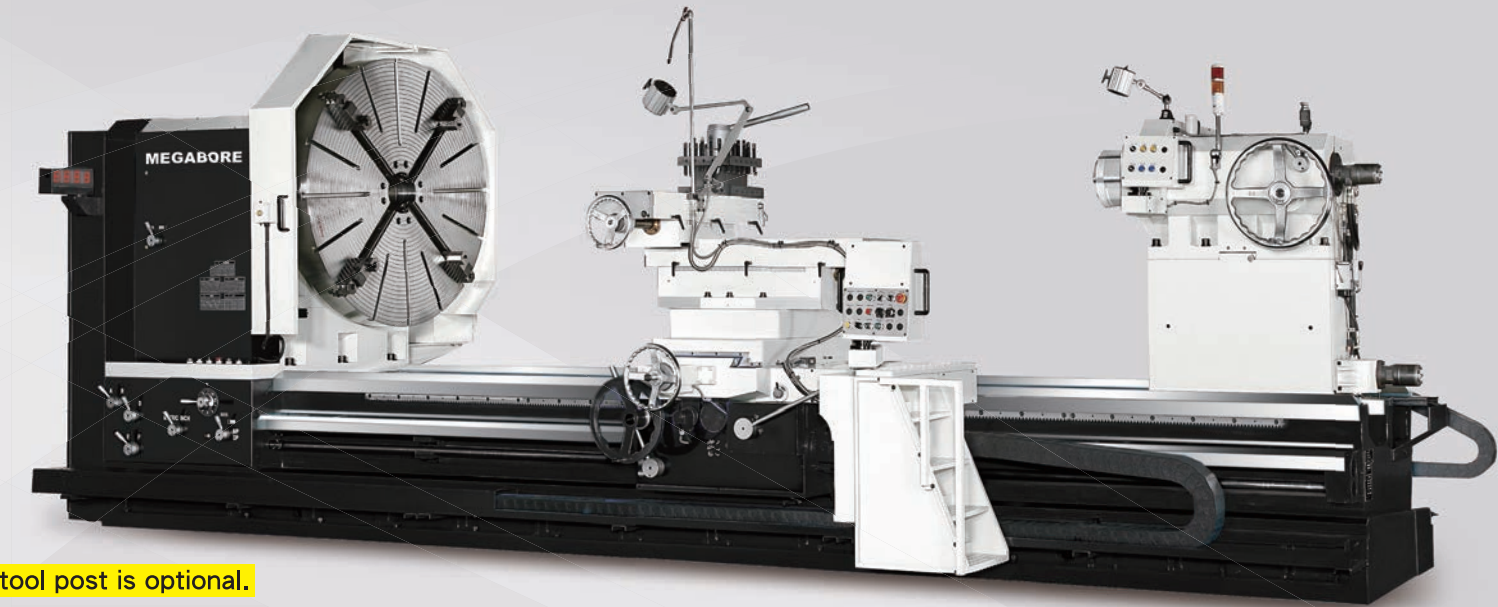
- ✓ 1 dead centre, MT #6
- ✓ 2-speed tailstock quill (manual)
- ✓ One piece stainless steel leadscrew cover
- ✓ Coolant pump
- ✓ Follow type splash guard
- ✓ Rear side chip and water collect plate
- ✓ Thread chasing dial
- ✓ Water and oil collect plate under apron
- ✓ Work lamp

Optional Accessories:

- ✓ Rear chip conveyor
- ✓ Bed's gap
- ✓ Other accessories please see page 11~14

PC series	PC-60	PC-70	PC-80
Swing over bed	1,560mm	1,805mm	2,050mm
Swing over cross slide	1,100mm	1,350mm	1,600mm
Swing over bed gap	2,120mm	2,370mm	2,620mm
Distance between centers	1,500mm~12,000mm in 40" increments		
Spindle nose	A2-15~A2-40		
Spindle bore	7"~30"	9"~32"	9"~32"
Spindle motor	Standard-30HP ; Option-40HP,50HP,60HP,75HP		

PH SERIES HEAVY DUTY LATHES



2-axes compound tool post is optional.

Outstanding Features :

- ✓ One piece bed, floor type casting.
- ✓ 4 shear bed way with dual way centre guide plus front lateral way for carriage support under cutting.
- ✓ All ways are hardened and ground.
- ✓ Alloy steel spindle with opposed taper roller bearings.
- ✓ Hardened and ground gears, shafts.
- ✓ Electromagnetic spindle brake.
- ✓ Variable spindle speeds in 4 automatic ranges through pneumatic shifting.
- ✓ 6-way rapid traverse and power feed to top slide.
- ✓ Totally enclosed universal inch/metric gear box.
- ✓ Carriage position device.
- ✓ Dual voltage spindle motor, 40 to 100 HP.
- ✓ Pressurized one shot lube system for cross slide and carriage.

Standard Accessories :

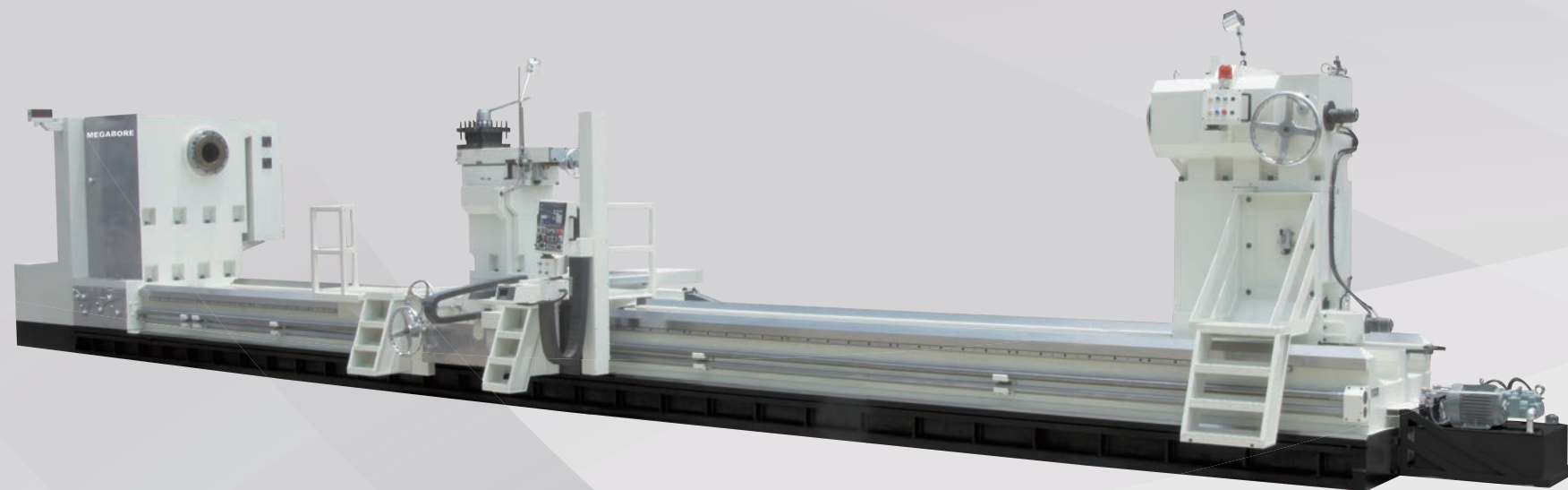
- ✓ 1 dead centre, MT #6
- ✓ 2-speed tailstock quill (manual)
- ✓ One piece stainless steel leadscrew cover
- ✓ Coolant pump
- ✓ Follow type splash guard
- ✓ Rear side chip and water collect plate
- ✓ Thread chasing dial
- ✓ Water and oil collect plate under apron
- ✓ Work lamp

Optional Accessories:

- ✓ Rear chip conveyor
- ✓ Other accessories please see page 11~14

PH series	PH-50	PH-60	PH-70	PH-80
Swing over bed	1,300mm	1,550mm	1,800mm	2,050mm
Swing over cross slide (Long carriage)	785mm	1,035mm	1,285mm	1,535mm
Swing over cross slide (Short carriage)	985mm	1,225mm	1,470mm	1,720mm
Distance between centers	3,000mm~12,000mm in 40" increments			
Spindle nose	A2-15~A2-40			
Spindle bore	7"~24"	7"~30"	9"~32"	9"~32"
Spindle motor	Standard-40HP ; Option-50HP,60HP,75HP,100HP			

PK SERIES HEAVY DUTY LATHES



Outstanding Features :

- ✓ One piece bed, floor type casting.
- ✓ 4 shear bed way with dual way centre guide plus front lateral way for carriage support under cutting.
- ✓ All ways are hardened and ground.
- ✓ Alloy steel spindle with opposed taper roller bearings.
- ✓ Hardened and ground gears.
- ✓ Electromagnetic spindle brake.
- ✓ Variable spindle speeds in 4 automatic ranges through pneumatic shifting.
- ✓ 6-way rapid traverse and power feed to top slide.
- ✓ Totally enclosed universal inch / metric gear box.
- ✓ Carriage position device.
- ✓ Dual voltage spindle motor, 50 to 200 HP.
- ✓ Pressurized one shot lube system for cross slide and carriage.

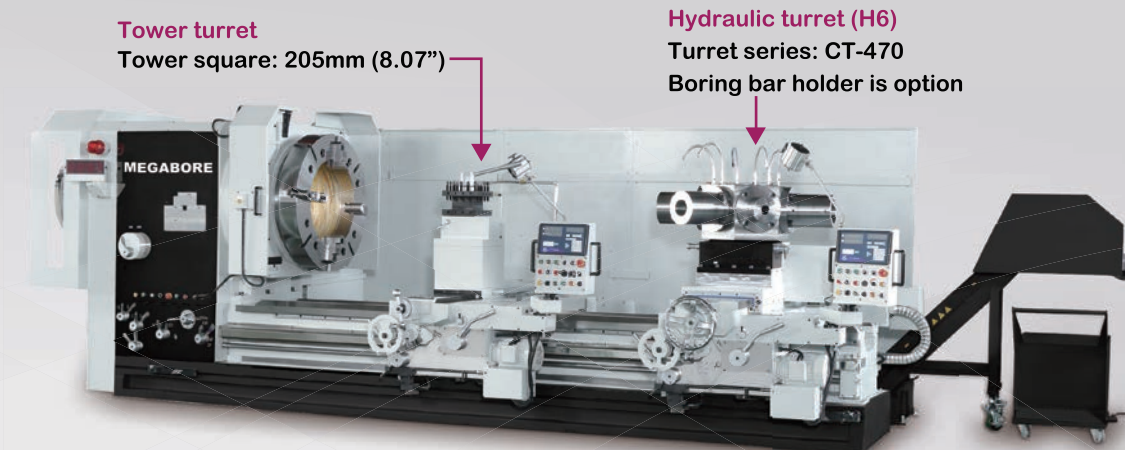
Standard Accessories :

- ✓ 1 dead centre, MT #7
- ✓ 2-speed tailstock quill (manual)
- ✓ One piece stainless steel leadscrew cover
- ✓ Coolant pump
- ✓ Follow type splash guard
- ✓ Rear side chip and water collect plate
- ✓ Thread chasing dial
- ✓ Water and oil collect plate under apron
- ✓ Work lamp

Optional Accessories:

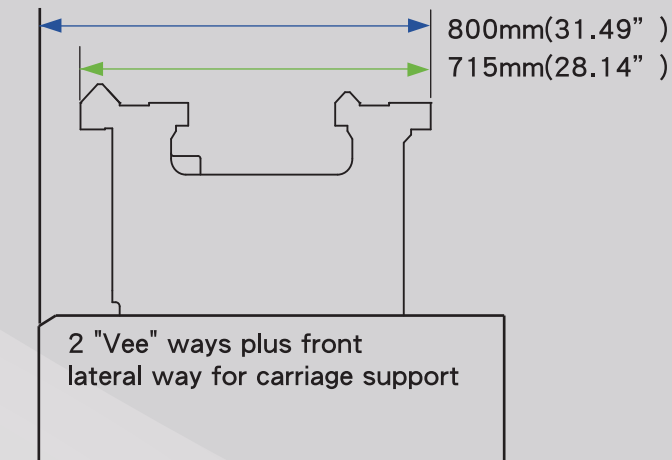
- ✓ Rear chip conveyor
- ✓ Other accessories please see page 11~14

PKA/PKB series	PKA-80	PKA-90	PKA-100	PKB-100	PKB-120	PKB-140
Swing over bed	2,050mm	2,290mm	2,530mm	2,560mm	3,060mm	3,560mm
Swing over cross slide(Long carriage)	1,480mm	1,730mm	1,980mm	1,980mm	2,480mm	2,980mm
Swing over cross slide(Short carriage)	1,720mm	1,960mm	2,200mm	2,200mm	2,700mm	3,190mm
Distance between centers	3,000mm~12,000mm in 40" increments					
Spindle nose	A2-15~A2-40					
Spindle bore	9"~32"					
Spindle motor	Standard-50HP ; Option-60HP,75HP,100HP,150HP,200HP					



SPECIFICATIONS		TURRET series						
ITEM	UNIT	1A	2A	3A	4A	5A	6A	7A
MODEL								
Spindle nose	ASA	A2-11	A2-15				A2-20	
Spindle bore	mm (in.)	154(6)	179(7)	205(8)	235(9 1/4)	255(10)	318(12 1/2)	360(14.17)
CAPACITY								
Centre height	mm (in.)	590 (23.22)						
Swing over bed	mm (in.)	1165 (45.86)						
Swing over cross slide	mm (in.)	840 (33.07)						
Distance between centres	mm (in.)	3000 (118.11), 4000 (157.48), 5000 (196.85), 6000 (236.22)						
BED								
Width (W/O auxiliary guide)	mm (in.)	715 (28.14)						
Width (W auxiliary guide)	mm (in.)	800 (31.49)						
CARRIAGE (Left hand side)								
Cross slide travel	mm (in.)	800 (31.49)						
Tower turret travel	mm (in.)	Fixed.						
Compound tool post travel	mm (in.)	500 (19.68)						
CARRIAGE (Right hand side)								
Cross slide travel	mm (in.)	800 (31.49)						
Hydraulic turret travel	mm (in.)	Fixed.						
THREAD FEED RANGE								
Longitudinal feed	mm/rev (in/rev)	0.045~2.55 (0.0018~0.1)						
Cross feed	mm/rev (in/rev)	0.023~1.28 (0.0009~0.05)						
Longitudinal rapid feed	mm/min (in/min)	2000 (78.74)						
Cross rapid feed	mm/min (in/min)	1270 (50)						
Metric thread	mm (kinds)	1~56 (60)						
Inch thread	TPI (kinds)	1/2~28 (60)						
Module thread	MOD (kinds)	0.25~14 (60)						
Diamteral pitch thread	DP (kinds)	2~112 (60)						
Pitch of leadscrew	mm (TPI)	12 (2)						
LEADSCREW								
Cross-slide(X axis)	mm (in)	Ø30 (1.18) / Ø40 (1.57)						
Longitudinal(Z axis)	mm (in)	Ø50 (1.96)						
MOTOR								
Main spindle motor	KW (HP)	22(30)-STD. ; 29(40) / 37(50) OPT.						
Rapid motor	KW (HP)	0.75(1) / 1.49(2)						
Coolant pump motor	KW (HP)	0.1 (0.125)						

TURRET SERIES 2 SHEAR BED WAY



Standard Accessories :

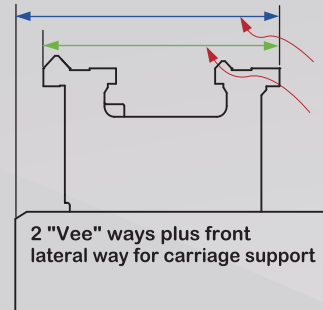
- ✓ Tower Turret - Left hand side carriage
- ✓ Hydraulic Turret (H6) - Right hand side carriage
- ✓ One piece stainless steel leadscrew cover
- ✓ Coolant pump
- ✓ Digital readout Brand: PROKING
- ✓ Follow type splash guard
- ✓ Rear chip conveyor
- ✓ Rear side chip and water collect plate
- ✓ Thread chasing dial
- ✓ Work lamp
- ✓ Water and oil plate under apron

Optional Accessories:

- ✓ Compound tool post - Left hand side carriage
- ✓ Other accessories please see page 11~14

PA,PB,PC SERIES

2 SHEAR BED WAY



- PA - 660mm (25.98")
- PB - 800mm (31.50")
- PC - 1090mm (42.91")
- PA - 560mm (22.04")
- PB - 715mm (28.15")
- PC - 920mm (36.22")

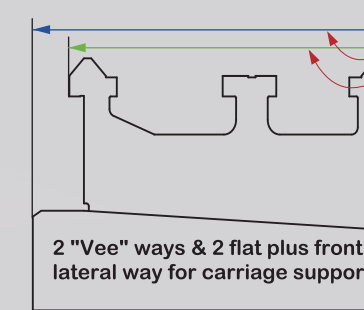
SPECIFICATIONS											
ITEM	UNIT	PA-35	PA-40	PA-45	PA-50	PB-45	PB-50	PB-60	PC-60	PC-70	PC-80
CAPACITY											
Center height	mm (in.)	445 (17.51)	510 (20.07)	575 (22.63)	645 (25.39)	590 (23.22)	650 (25.59)	775 (30.51)	805 (31.69)	930 (36.61)	1055 (41.53)
Swing over bed	mm (in.)	880 (34.64)	1010 (39.76)	1135 (44.68)	1275 (50.19)	1165 (45.86)	1280 (50.39)	1530 (60.23)	1560 (61.41)	1805 (71.06)	2050 (80.70)
Swing over cross slide	mm (in.)	615 (24.21)	745 (29.33)	875 (34.44)	1015 (39.96)	840 (33.07)	950 (37.40)	1210 (47.63)	1100 (43.30)	1350 (53.14)	1600 (62.99)
Swing over gap	mm (in.)	1340 (52.75)	1470 (57.87)	1600 (62.99)	1740 (68.50)	1610 (63.38)	1730 (68.11)	1980 (77.95)	2120 (83.46)	2370 (93.30)	2620 (103.14)
Gap width from headstock	mm (in.)	600 (23.62)				600 (23.62)				600 (23.62)	
Distance between centers	mm (in.)	1500 (59.05), 2000 (78.74), 3000 (118.11), 4000 (157.48), 5000 (196.85), 6000 (236.22) 7000 (275.59), 8000 (314.96), 9000 (354.33), 10000 (393.70), 11000 (433.07), 12000 (472.44)									
BED											
Width (W/O Auxiliary guide)	mm (in.)	560 (22.04)				715 (28.14)				920 (36.22)	
Width (W Auxiliary guide)	mm (in.)	660 (25.98)				800 (31.49)				1090 (42.91)	
CARRIAGE											
Cross slide travel	mm (in.)	670 (26.37)				800 (31.49)				1170 (46.06)	
Compound rest travel	mm (in.)	450 (17.71)				500 (19.68)				600 (23.62)	
4-ways tool post width	mm (in.)	205 (8.07)				255 (10.03)				310 (12.20)	
THREAD FEEDS RANGE											
Longitudinal feed	mm/rev (in/rev)	0.045~2.55 (0.0018~0.1)				0.045~2.55 (0.0018~0.1)				0.045~2.55 (0.0018~0.1)	
Cross feed	mm/rev (in/rev)	0.023~1.28 (0.0009~0.05)				0.023~1.28 (0.0009~0.05)				0.023~1.28 (0.0009~0.05)	
Longitudinal rapid feed	mm/min (in/min)	2000 (78.74)				2000 (78.74)				2000 (78.74)	
Cross rapid feed	mm/min (in/min)	1270 (50.00)				1270 (50.00)				1020 (40.15)	
Metric thread	mm (kinds)	1~56 (60)				1~56 (60)				1~56 (60)	
Inch thread	TPI (kinds)	1/2~28 (60)				1/2~28 (60)				1/2~28 (60)	
Module thread	MOD (kinds)	0.25~14 (60)				0.25~14 (60)				0.25~14 (60)	
Diametral pitch thread	DP (kinds)	2~112 (60)				2~112 (60)				2~112 (60)	
Pitch of leadscrew	mm (TPI)	12 (2)				12 (2)				12 (2)	
TAILSTOCK											
Quill diameter	mm (in.)	115 (4.52)				145 (5.70)				160 (6.29)	
Quill travel	mm (in.)	200 (7.87)				200 (7.87)				200 (7.87)	
Inner taper of quill		MT#6				MT#6				MT#6	
Bearing surface on bed ways	mm (in.)	500 (19.68)				600 (23.62)				760 (29.92)	
LEADSCREW											
Cross-slide(X axis)	mm (in.)	Ø30 (1.18)				Ø40 (1.57)				Ø48 (1.88)	
Longitudinal(Z axis)	mm (in.)	Ø50 (1.96)				Ø50 (1.96)				Ø60 (2.36)	
MOTOR											
Main spindle motor	KW (HP)	14(20)-STD. 18(25) / 22(30) / 29(40) / 37(50)-OPT.				22(30)-STD. 29(40) / 37(50)-OPT.				22(30)-STD. 29(40) / 37(50) / 44(60) / 55(75)-OPT.	
Rapid motor	KW (HP)	0.75(1)				1.5(2)				3.72(5)	
Coolant pump motor	KW (HP)	0.1 (0.125)				0.1 (0.125)				0.1 (0.125)	

Note:

- (1) X and Z axes actual cutting diameter will change when equipped with different turrets.
- (2) Specifications are subject to change without prior notice.

PH, PKA, PKB SERIES

3 SHEAR BED WAY, 4 WAY GUIDE



- PH - 1270mm (50.00")
- PKA - 1520mm (59.84")
- PKB - 1850mm (72.83")
- PH - 1100mm (43.31")
- PKA - 1350mm (53.15")
- PKB - 1680mm (66.14")

SPECIFICATIONS												
ITEM	UNIT	PH-50	PH-60	PH-70	PH-80	PKA-80	PKA-90	PKA-100	PKB-100	PKB-120	PKB-140	
CAPACITY												
Center height	mm (in.)	650 (25.59)	775 (30.51)	900 (35.43)	1020 (40.15)	1020 (40.15)	1145 (45.07)	1270 (50.00)	1400 (55.11)	1650 (64.96)	1900 (74.80)	
Swing over bed	mm (in.)	1300 (51.18)	1550 (61.02)	1800 (70.86)	2050 (80.71)	2050 (80.70)	2290 (90.15)	2530 (99.60)	2560 (100.78)	3060 (120.47)	3560 (140.15)	
Swing over cross slide(Long carriage)	mm (in.)	785 (30.90)	1035 (40.74)	1285 (50.59)	1535 (60.43)	1480 (58.26)	1730 (68.11)	1980 (77.95)	1980 (77.95)	2480 (97.64)	2980 (117.32)	
Swing over cross slide(Short carriage)	mm (in.)	985 (38.77)	1225 (48.22)	1470 (57.87)	1720 (67.71)	1720 (67.71)	1960 (77.16)	2200 (86.61)	2200 (86.61)	2700 (106.29)	3190 (125.59)	
Distance between centers	mm (in.)	3000 (118.11), 4000 (157.48), 5000 (196.85), 6000 (236.22), 7000 (275.59), 8000 (314.96), 9000 (354.33), 10000 (393.70), 11000 (433.07), 12000 (472.44)										
BED												
Width (W/O Auxiliary guide)	mm (in.)	1100 (43.30)				1350 (53.14)				1680 (66.14)		
Width (W Auxiliary guide)	mm (in.)	1270 (50.00)				1520 (59.84)				1850 (72.83)		
CARRIAGE												
Cross slide travel(Long carriage)	mm (in.)	1170 (46.06)				1450 (57.08)				1830 (72.04)		
Cross slide travel(Short carriage)	mm (in.)	415 (16.33)				665 (26.18)				810 (31.88)		
Compound rest travel	mm (in.)	600 (23.62)				700 (27.55)				350 (13.77)		
4-way tool post width	mm (in.)	310 (12.20)				350 (13.77)						
THREAD FEEDS RANGE												
Longitudinal feed	mm/rev (in/rev)	0.045~2.55 (0.0018~0.1)				0.045~2.55 (0.0018~0.1)				0.045~2.55 (0.0018~0.1)		
Cross feed	mm/rev (in/rev)	0.023~1.28 (0.0009~0.05)				0.023~1.28 (0.0009~0.05)				0.023~1.28 (0.0009~0.05)		
Longitudinal rapid feed	mm/min (in/min)	2000 (78.74)				2000 (78.74)				2000 (78.74)		
Cross rapid feed	mm/min (in/min)	1270 (50)				1270 (50)				1270 (50.00)		
Metric thread	mm (kinds)	1~56 (60)				1~56 (60)				1~56 (60)		
Inch thread	TPI (kinds)	1/2~28 (60)				1/2~28 (60)				1/2~28 (60)		
Module thread	MOD (kinds)	0.25~14 (60)				0.25~14 (60)				0.25~14 (60)		
Diametral pitch thread	DP (kinds)	2~112 (60)				2~112 (60)				2~112 (60)		
Pitch of leadscrew	mm (TPI)	12 (2)				12 (2)				12 (2)		
TAILSTOCK												
Quill diameter	mm (in.)	235 (9.25)				280 (11.02)				250 (9.84)		
Quill travel	mm (in.)	200 (7.87)				250 (9.84)				1120 (44.09)		
Inner taper of quill		MT#6				MT#6				MT#7		
Bearing surface on bed ways	mm (in.)	660 (25.98)				1120 (44.09)						
LEADSCREW												
Cross-slide(X axis)	mm (in.)	Ø48 (1.88)				Ø48 (1.88)				Ø48 (1.88)		
Longitudinal(Z axis)	mm (in.)	Ø60 (2.36)				Ø60 (2.36)				Ø60 (2.36)		
MOTOR												
Main spindle motor	KW (HP)	29(40)-STD. 37(50) / 44(60) / 55(75) / 74(100)-OPT.				37(50)-STD. 44(60) / 55(75) / 74(100) / 111(150) / 149(200)-OPT.				37(50)-STD. 44(60) / 55(75) / 74(100) / 111(150) / 149(200)-OPT.		
Rapid motor	KW (HP)	3.72(5)				5.59(7.5)				0.37(0.5)		
Coolant pump motor	KW (HP)	0.37 (0.5)				0.37 (0.5)				0.37 (0.5)		

Note:

- (1) X and Z axes actual cutting diameter will change when equipped with different turrets.
- (2) Specifications are subject to change without prior notice.

HEADSTOCK

18 steps (MANUAL)

Spindle nose	ASA	A2-11		A2-15			
Spindle bore	mm(in.)	154(6)	179(7)	205(8)	235(9 1/4)	255(10)	
Spindle speed step only for PA & PB & PC series	/min	7, 10, 13	7.5, 10, 13	6, 9, 12			
		17, 22, 30	15, 19, 24	14, 18, 23			
		45, 60, 75	34, 45, 58	30, 40, 52			
		90, 105, 125	68, 91, 114	62, 82, 102			
		190, 280, 355	158, 218, 272	142, 195, 245			
		410, 540, 700	315, 425, 535	285, 380, 480			

✔ Optional RPM ranges available upon application

Autoshift in 4 ranges (EVS)

		Spindle Speed																
Spindle nose	ASA	A2-11	A2-15				A2-20	A2-28	A2-32			A2-34	A2-36	A2-40				
Spindle bore	mm(in.)	154(6)	179(7)	205(8)	235(9 1/4)	255(10)	318(12 1/2)	360(14.17)	410(16)	470(18 1/2)	535(21)	565(22)	610(24)	635(25)	715(28)	765(30)	815(32)	
PA & PB & TURRET series	/min	700	550	500				400	350	300	260	220	210	200	190	180	170	N/A
PC & PH series	/min	N/A		400				350	300	270	240	200	180	170	160	150	140	130
PKA & PKB series	/min	N/A		300	280	270	250	230	210	170	160	150	140	130	120	110		

Spindle nose	ASA	A2-11	A2-15				A2-20	A2-28	A2-32			A2-34	A2-36	A2-40			
Spindle bore	mm(in.)	154 (6)	179 (7)	205 (8)	235(9 1/4)	255 (10)	318(12 1/2)	360(14.17)	410 (16)	470(18 1/2)	535 (21)	565 (22)	610 (24)	635(25)	715 (28)	765 (30)	815 (32)
PA-35	★	★	★	★	★	★	★	★	-	-	-	-	-	-	-	-	-
PA-40	★	★	★	★	★	★	★	★	-	-	-	-	-	-	-	-	-
PA-45	★	★	★	★	★	★	★	★	★	★	-	-	-	-	-	-	-
PA-50	★	★	★	★	★	★	★	★	★	★	★	-	-	-	-	-	-
PB-45	★	★	★	★	★	★	★	★	★	★	-	-	-	-	-	-	-
PB-50	★	★	★	★	★	★	★	★	★	★	★	-	-	-	-	-	-
PB-60	-	★	★	★	★	★	★	★	★	★	★	★	★	★	★	★	-
PC-60	-	★	★	★	★	★	★	★	★	★	★	★	★	★	★	★	-
PC-70	-	-	-	★	★	★	★	★	★	★	★	★	★	★	★	★	★
PC-80	-	-	-	★	★	★	★	★	★	★	★	★	★	★	★	★	★
PH-50	-	★	★	★	★	★	★	★	★	★	★	★	-	-	-	-	-
PH-60	-	★	★	★	★	★	★	★	★	★	★	★	★	★	★	★	-
PH-70	-	-	-	★	★	★	★	★	★	★	★	★	★	★	★	★	★
PH-80	-	-	-	★	★	★	★	★	★	★	★	★	★	★	★	★	★
PKA-80	-	-	-	★	★	★	★	★	★	★	★	★	★	★	★	★	★
PKA-90	-	-	-	★	★	★	★	★	★	★	★	★	★	★	★	★	★
PKA-100	-	-	-	★	★	★	★	★	★	★	★	★	★	★	★	★	★
PKB-100	-	-	-	★	★	★	★	★	★	★	★	★	★	★	★	★	★
PKB-120	-	-	-	★	★	★	★	★	★	★	★	★	★	★	★	★	★
PKB-140	-	-	-	★	★	★	★	★	★	★	★	★	★	★	★	★	★

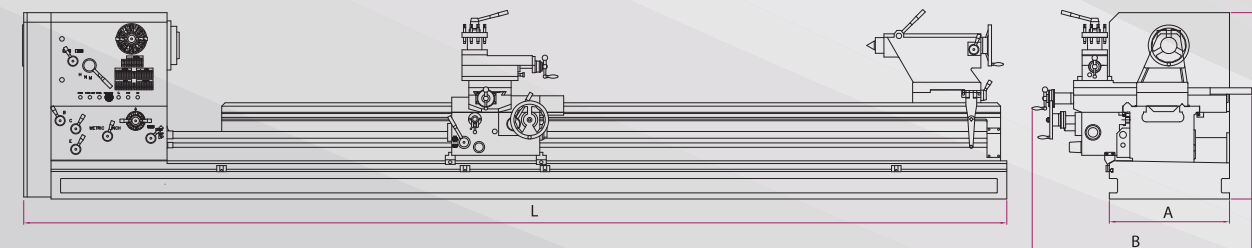
★ means available

SUPPORT CAPACITY

MODEL	PA	PB	PC	PH	PKA	PKB
SUPPORT CAPACITY	6" spindle bore			9" spindle bore		
LOAD BETWEEN CENTERS WITHOUT STEADY REST	3,500kgs (7,700Lbs)	5,000kgs (11,000Lbs)	9,000kgs (19,800Lbs)	9,000kgs (19,800Lbs)	13,000kgs (28,600Lbs)	15,000kgs (33,000Lbs)
LOAD BETWEEN CENTERS WITH ONE STEADY REST	4,500kgs (9,900Lbs)	6,000kgs (13,200Lbs)	10,000kgs (22,000Lbs)	10,000kgs (22,000Lbs)	15,000kgs (33,000Lbs)	17,000kgs (37,400Lbs)
CLAMP CAPACITY STEEL BODY TYPE4-JAW CHUCK	2,300kgs (5,070Lbs)	2,900kgs (6,390Lbs)	5,000kgs (11,000Lbs)	5,000kgs (11,000Lbs)	8,000kgs (17,600Lbs)	10,000kgs (22,000Lbs)

PA,PB base on 6" spindle bore and standard tailstock quill / PC,PH,PKA,PKB base on 9" spindle bore and standard tailstock quill

DIMENSIONS PA, PB, PC, PH, PKA, PKB, TURRET series

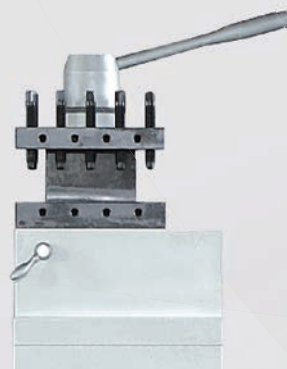


Unit: mm

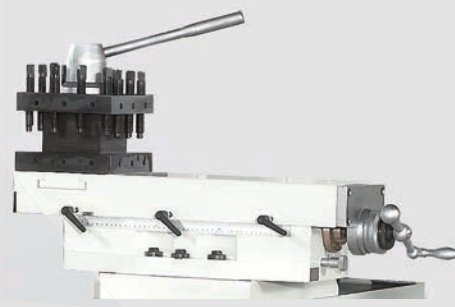
SERIES	A	B	H	Center Distance	1500	2000	3000	4000	5000	6000	7000	8000	9000	10000	11000	12000
PA	880	1800	1325	L	3750	4250	5250	6250	7250	8250	9250	10250	11250	12250	13250	14250
PB	950	1990	1455	L	4050	4550	5550	6550	7550	8550	9550	10550	11550	12550	13550	14550
PC	1140	2090	1730	L	4390	4890	5890	6890	7890	8890	9890	10890	11890	12890	13890	14890
PH	1290	2660	1820	L	-	-	6370	7370	8370	9370	10370	11370	12370	13370	14370	15370
PKA	1470	2815	2070	L	-	-	6600	7600	8600	9600	10600	11600	12600	13600	14600	15600
PKB	1800	3415	2770	L	-	-	6600	7600	8600	9600	10600	11600	12600	13600	14600	15600
TURRET	950	2090	1455	L	-	-	5550	6550	7550	8550	-	-	-	-	-	-

All data subject to change without notice.

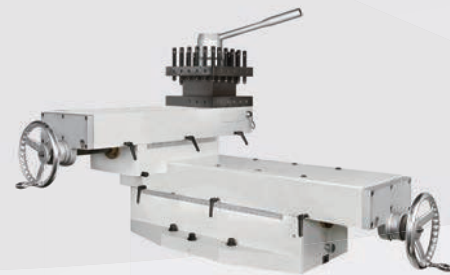
Optional Accessories



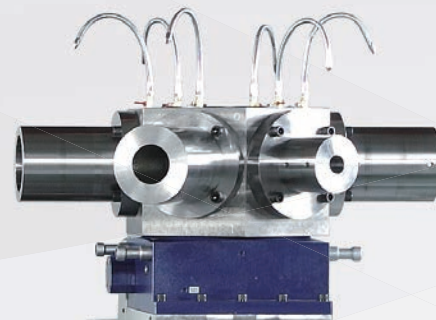
Tower turret
Tower square: 205mm (8.07")



Compound tool post(Power feed)
PA series travel: 450mm(17.71")
PB series travel: 500mm(19.68")
PC series travel: 600mm(23.62")

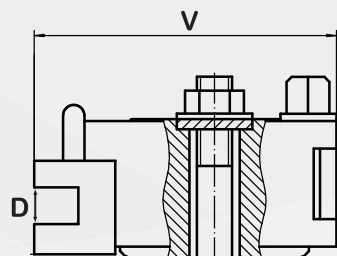


2-axes Compound tool post



Hydraulic turret (H6)
Turret series: CT-470
Boring bar holder is option

40-position quick change tool posts (EUROPEAN STYLE)



D(mm)	V	
	D1 type	D2 type
40	230mm	N/A
50	233mm	275mm
63	241mm	282mm
70	N/A	290mm

D1 type FOR PA,PB SERIES
D2 type FOR PC,PH,PKA,PKB SERIES



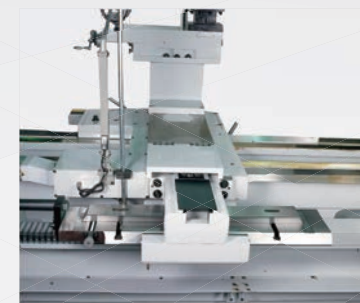
Type A



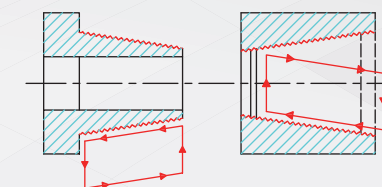
Type B

Micrometer Carriage Stop
(Positioning system and auto power off)

Optional Accessories



Taper turning attachment
±7 degree
Travel:500mm(19.68")



Semi-automatic cycle turning
(and threading)

Hydraulic copying turning system for full length

1:1 ratio



Type A
Sample fixture rack



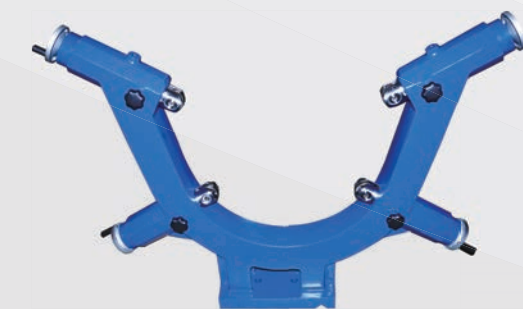
Type B
Offset fixture rack



Type C
Taper and profile base



Fixed - 3 point steady rest
(Closed type)
Ø30~400mm (1.18"~15.74")
Ø350~700mm (13.77"~27.55")
Ø600~1000mm (23.62"~39.37")



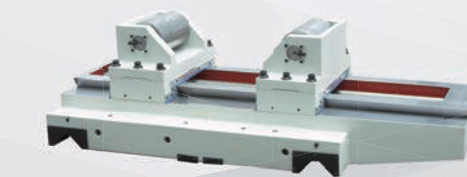
U Shape - 4 point steady rest
(Opened type)
Ø160~450mm (6.29"~17.71")
Ø450~700mm (17.71"~27.55")
Ø600~1000mm (23.62"~39.37")



3 Point follow rest
(Movement with carriage)
Ø30~300mm (1.18"~11.81")

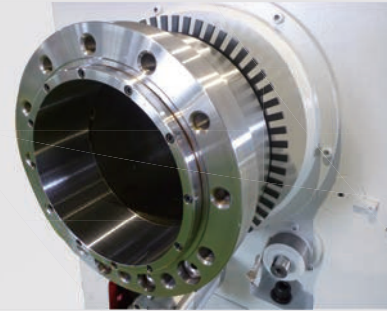


Roller support
Type A

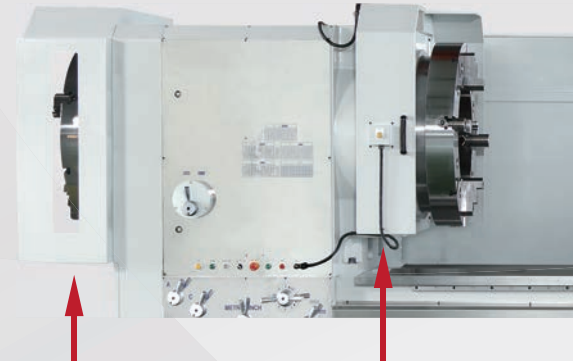


Roller support
Type B

Optional Accessories



Rear chuck adapter

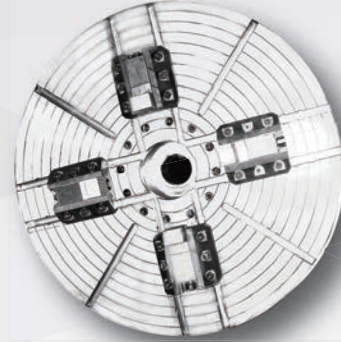


Rear safety chuck guard

Front safety chuck guard with "jog" button



Digital Readout (DRO)
(with Operator Control Panel)
Brand: Megabore / Fagor / Newall



4-jaw independent chuck
(Top jaw type)



3-jaw scroll chuck
(Back plate type)



3-jaw scroll chuck
(Direct type)



4-jaw independent chuck
(Steel body type)

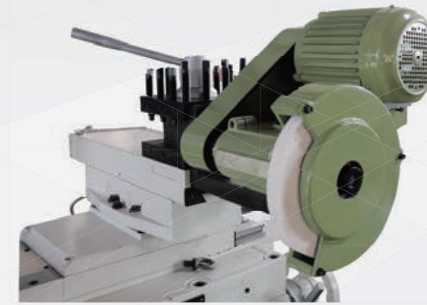


4-jaw independent chuck
(Semi-steel body type)

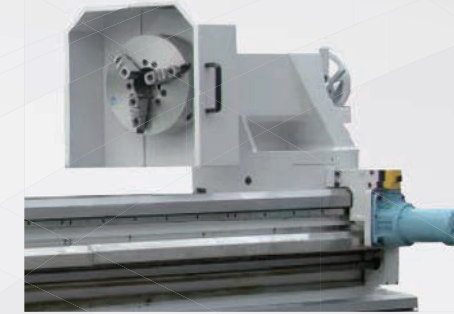


4-jaw independent chuck
(Face plate type)

Optional Accessories



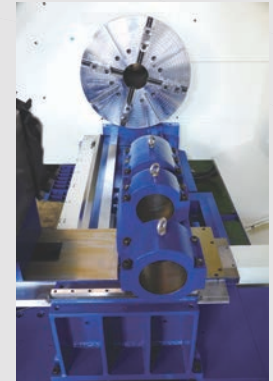
Grinder attachment



Living quill with chuck and chuck guard
Motorized tailstock

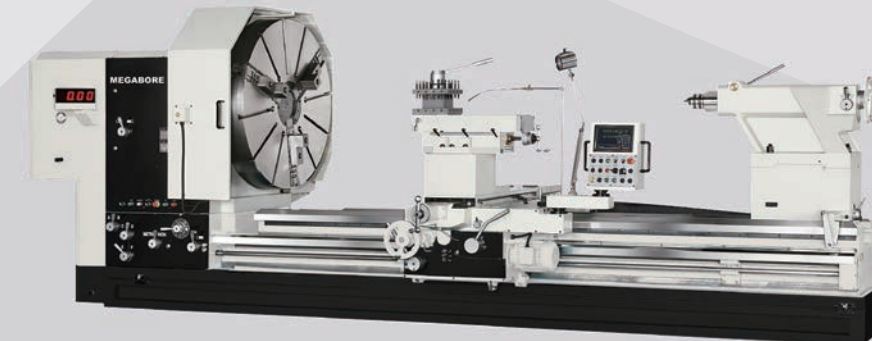


Tailstock with chuck & centre device
for heavy parts cutting.

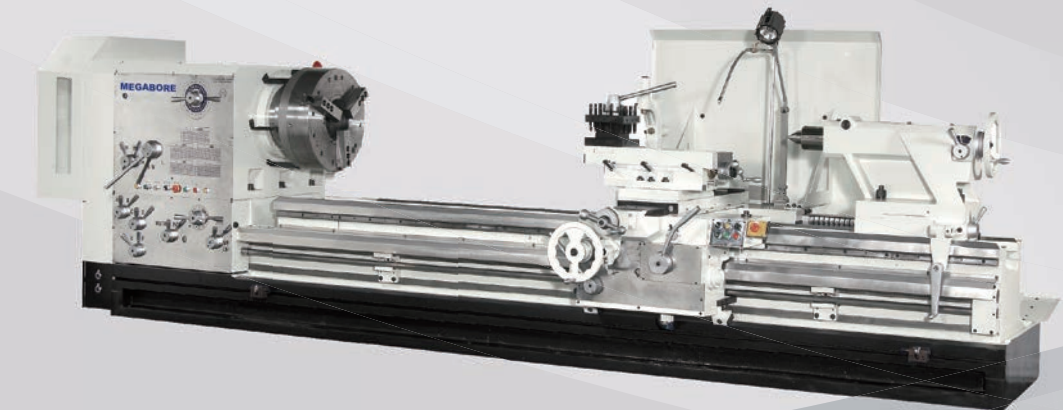


Boring bar holder mounted
on cross-slide with linear guideway

SOME OF MEGABORE'S OTHER PRODUCTS



PB series, Spindle bore 9", Swing over bed 60",
Distance between centres 120", 3-jaw hydraulic chuck 50"



PA series, Spindle bore 9", Swing over bed 35",
Distance between centres 120", 3-jaw pneumatic chuck