

Email: Richardjcy@gmail.com

Whatsapp +86-15962769727

Jiangsu Chuangheng Machinery Technology Co.,Ltd

Add: No 10 Middle Anhai Road,Dagong Town Haian City,Jiangsu Province
China

TEL: 0086-513-88321198

FAX: 0086-513-88321206

CNC press brake Electron-hydraulic Synchronized type Technical Data

Model and Details

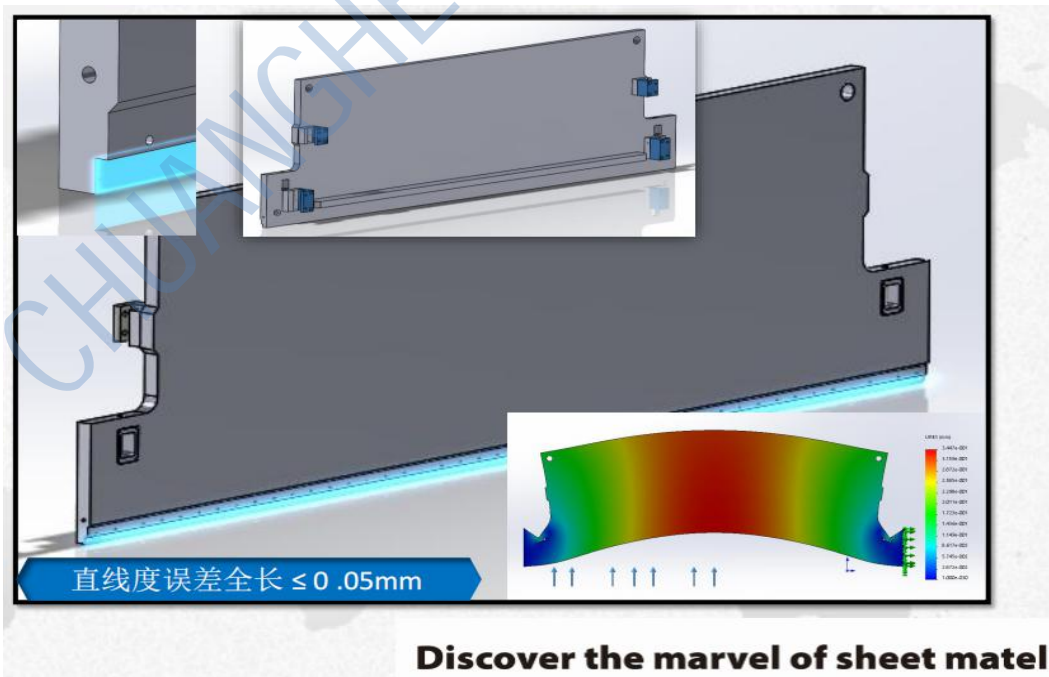
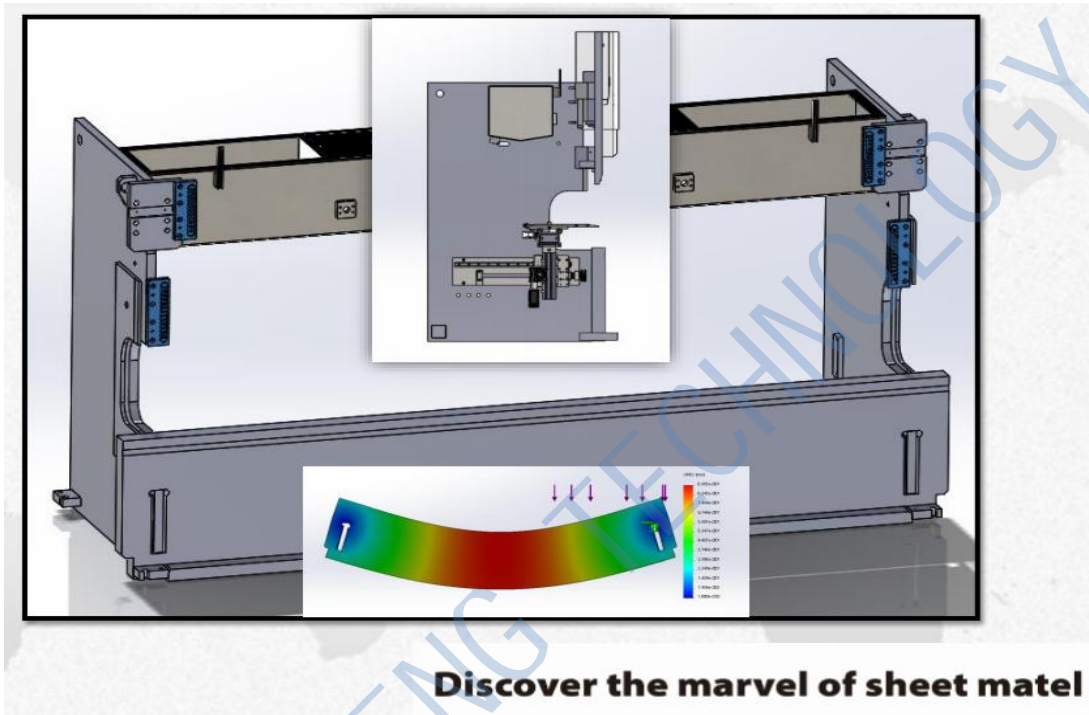
1-Type: PB-22041 DELEM DA53T 4+1 Axes

2-Brand: CHUANGHENG

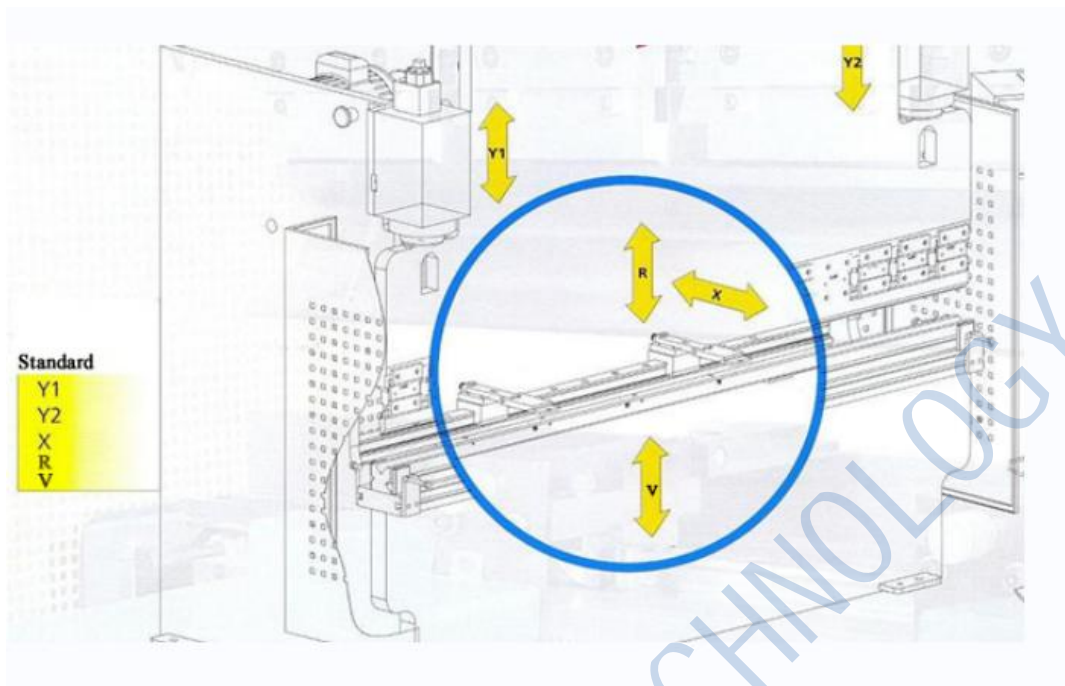
Standard Machine viewing



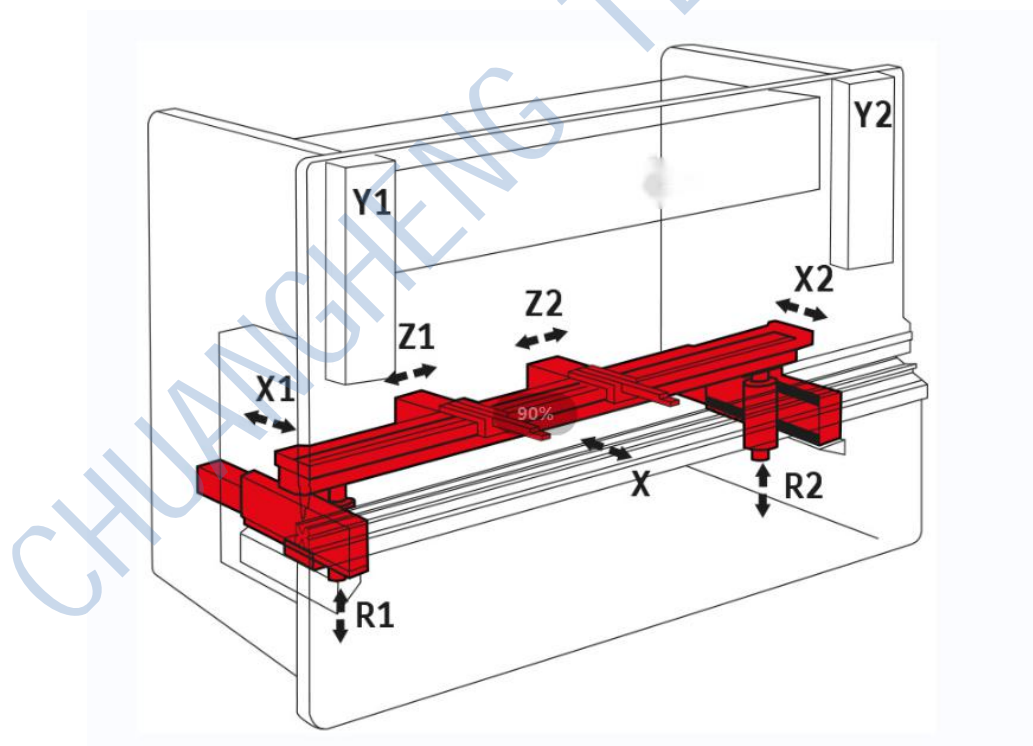
CHUANGHENG Innovative upper slider with 4 guide rails, higher precision and longer service life, Whole frame fabrication, With heat treatment and polished. (In the market, standard are 2 rails type)



Standard Machine 4+1 axes



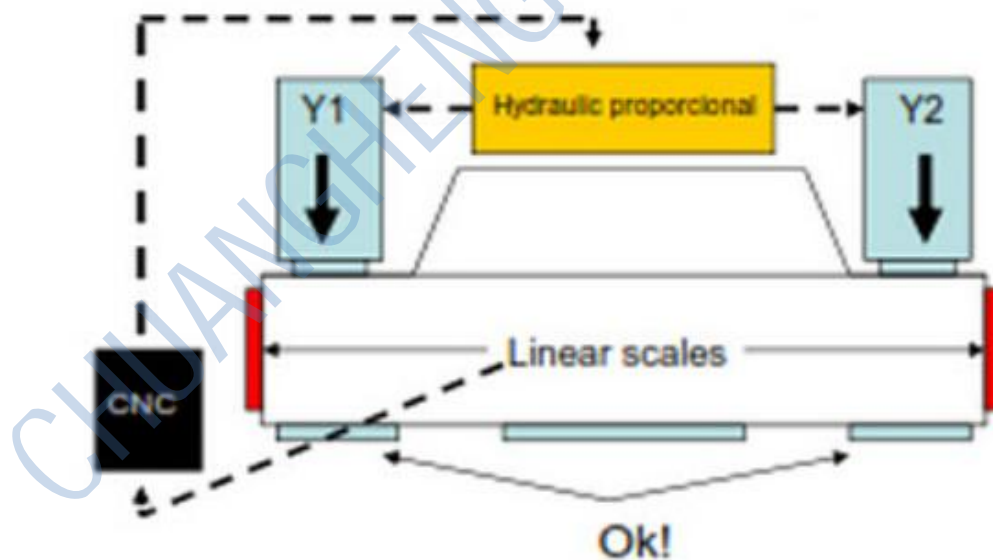
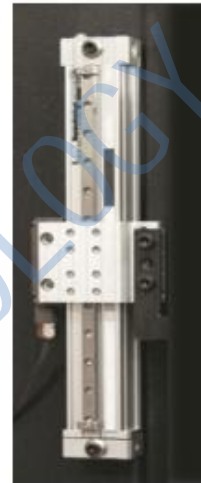
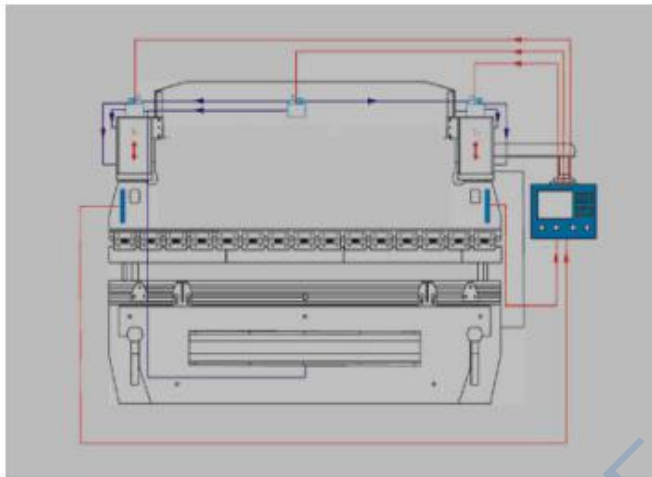
Options of extra axes



Ram parts

The machine is worked by hydraulic up-drive. Ram parts contains ram , cylinder.

The fine-tuning structure of the mechanical block is external, driven by servo motor, which is controlled by the CNC system to control the angle. The left and right cylinders are fixed on the frame and the piston (rod) is hydraulically driven to move the ram up and down.



Main specifications and technical data

| | | | |
|---------------------------|-----------------------|-------------------------------|------------------|
| Model (CHD-PB) | | 220T/4100 | Unit |
| Bending force | | 2200 KN | KN |
| Bending length | | 4100 mm | mm |
| Distance between uprights | | 3600mm | mm |
| Max.opening height | | 480mm | mm |
| Throat depth | | 400 mm | mm |
| CNC AXIS | X | Stroke | 600 mm mm |
| | | Max. working speed | 400 mm/s mm/s |
| | | Positioning accuracy | ±0.05 mm mm |
| | | Repeated positioning accuracy | ±0.03mm mm |
| | R | Stroke | 150 mm mm |
| | | Max. working speed | 60 mm/s mm/s |
| | | Positioning accuracy | ±0.10 mm mm |
| | | Repeated positioning accuracy | ±0.05 mm mm |
| | Y | Cylinder Stroke | 200 mm mm |
| | | Positioning accuracy | ±0.02 mm mm |
| | | Repeated positioning accuracy | ±0.01 mm mm |
| | Ram approaching speed | | 150 mm/s |
| Ram working speed | | 10 mm/s | mm/s |
| Ram returning speed | | 110 mm/s | mm/s |
| CNC axis | | 4+1axis [Y1 Y2 X R V] | |
| Main motor power | | 11KW | Kw |
| Overall dimension | | 4600*2000*2900 | mm |
| Approx. Weight | | Approx.12500 | Kg |

Main Components and supporting manufacturers

DELEM DA53T,Netherlands

Max 4+1 axes

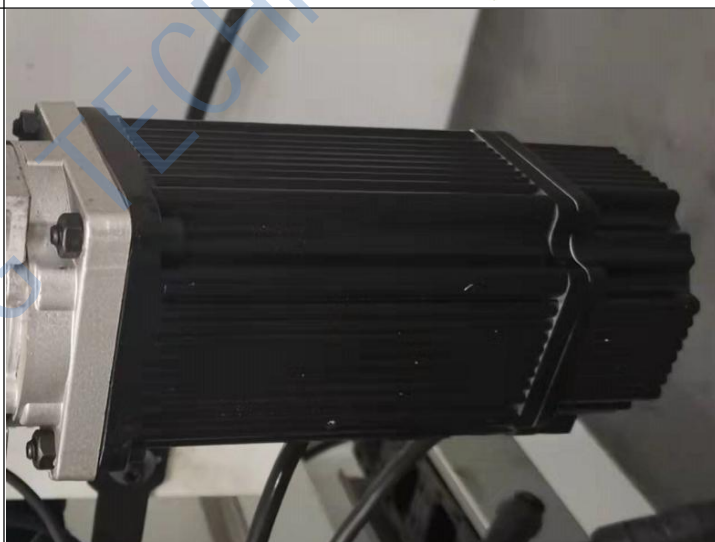
Steady quality and easy to operate



ESTUN,China

Servo motor for Y X R Z axes

Quick response and high precision



ESTUN China

Servo driver for Y X R Z axes

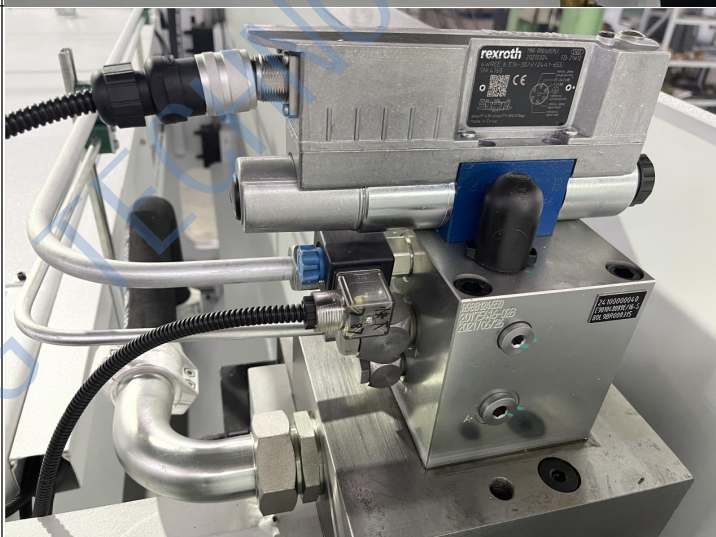
Quick response and high precision



WNM,China
3 Phase Asynchronous Main Motor
Steady quality,First Chines Brand



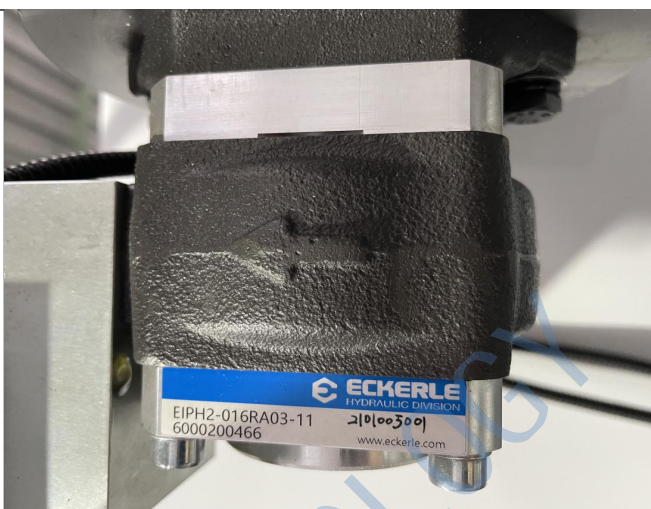
Rexroth Germany
Closed Loop Synchronized Valve
Reliable, stable and fast



Rexroth Germany
electromagnetic valve
Reliable, stable and fast



ECKERLE,Germany
High Pressure Gear Pump
Smooth operation, stable flow and
long service life



EMB,Germany
Pipe connections
Easy disassembly, reliable
connection, good sealing
performance, large oil passing
capacity, small pressure loss, and
good processing technology



HIWIN,Taiwan(China)
Ball Screw
High precision,long using life



HIWIN,TBI,PMI,Taiwan(China)

Guide rail and Block
High precision,long using life



Schneider,France
Main Electrics
Reliable, stable



Heyan,China
Main Hydraulic Cylinder
Reliable, stable,precise



LIYUAN,China
Upper tools and bottom block
Material 42CrMo whole body
quenching
High precision,long using life,Good Material



LIYUAN,China
Mechanical crowning
High precision,long using life



Pushi,China
Quick clamps
Reliable, stable,precise
3 points,Single open



Chuangheng,China
Front support Arms
Stable,long using life



FAGOR,SPAIN
Grating Scale
High precision,Stable,long using life



ChuangHeng,China
Moveable Foot Pedal station
Easy operation and Convenient



Options for customized request CNC Controller DELEM DA Series

| | |
|---|---|
| <p>DELEM DA58T,Netherlands Max 4+1 axes, 2D graphical Display and Programming</p> |  A Delem DA58T CNC controller with a 2D graphical display showing a wireframe model of a part. The screen displays various parameters and a control interface. The device is black with a silver base. |
| <p>DELEM DA66T,Netherlands Fit for the purpose 2D graphical Programming and 3D Display</p> |  A Delem DA66T CNC controller with a 2D graphical display showing a 3D model of a part. The screen displays various parameters and a control interface. The device is black with a silver base and a yellow emergency stop button. |
| <p>DELEM DA69T,Netherlands 3D and 2D graphical touch screen programming mode</p> |  A Delem DA69T CNC controller with a 3D graphical touch screen display showing a 3D model of a part. The screen displays various parameters and a control interface. The device is black with a silver base and a yellow emergency stop button. |

CNC Controller CYBELEC CT Series

CYBELEC CT12PS,Switzerland

interactive touch software

**interface with large keys, its 2D
graphic display, on-line help, and
many other automatic functions**



CYBELEC CT15PS,Switzerland

**2D numerical control specifically
dedicated to entry to mid-range
CNC press-brakes up to 6 axes**

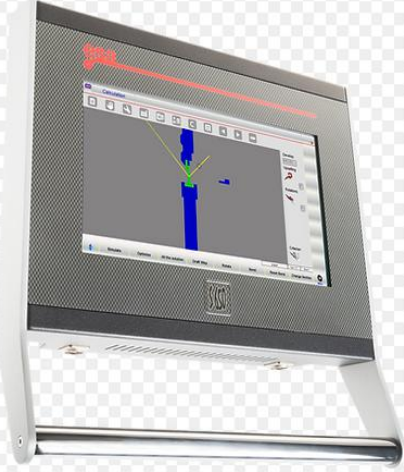


CYBELEC CT15PS,Switzerland

**Programming numerical or with
the 2D graphical profile and setting
up the bending of a part on the
large 19" becomes really quick,
easy and efficient.**



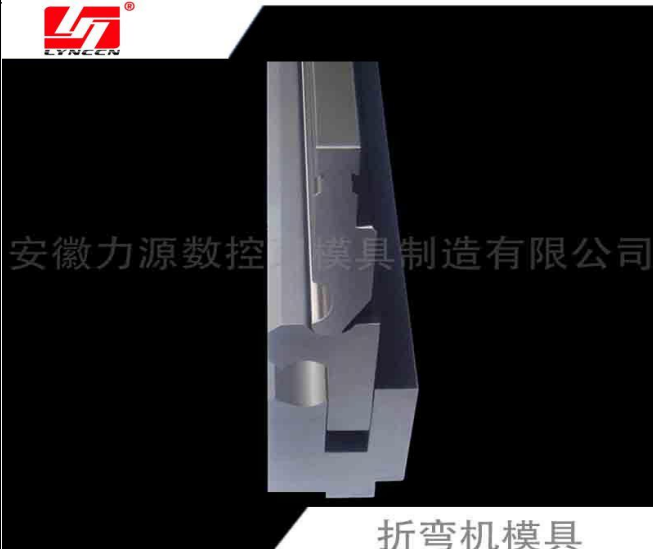
CNC Controller ESA S Series

| | |
|--|---|
| <p>ESA,Italy S630</p> <p>2D graphic display ,Interactive 2d graphic editor,up to 4 axis</p> |  A black ESA S630 CNC controller with a 15-inch touch screen. The screen displays a 2D CAD interface with a blue part and green axes. The ESA logo is at the top left, and 'S630' is printed below the screen. |
| <p>ESA,Italy S640</p> <p>15" touch screen</p> <p>Top-level performances for machines up to six axes</p> |  A black ESA S640 CNC controller with a 15-inch touch screen. The screen displays a 3D CAD interface with a blue part and green axes. The ESA logo is at the top left, and 'S640' is printed below the screen. |
| <p>ESA,Italy S650</p> <p>15" touch screen</p> <p>Designed to control machines up to eight axes</p> |  A silver ESA S650 CNC controller with a 15-inch touch screen. The screen displays a 2D CAD interface with a blue part and green axes. The ESA logo is at the top left, and 'S650' is printed below the screen. |

Quick clamps

| | |
|---|--|
| <p>Pushi,China Quick clamps,Three points,Double open Quick release and convenient</p> |  |
| <p>Pushi,China Quick clamps,Three points,Double open,Double surfaces More universal for two directions tools installation</p> |  |
| <p>KYOKKO,Japan Quick clamps,Three points,Double open Better material using and better design</p> |  |

Bending tools and Moulds

| | |
|---|---|
| <p>Upper bending tools with Fins and in segments Bending different length and also for bending box</p> |  <p>● HUAWEI Mate 20 X ● LEICA TRIPLE CAMERA AI</p> |
| <p>Liyuan,China Goose Neck upper tools and other customized tools Universal for deep bending</p> |  <p>安徽力源数控刃模具制造有限公司</p> <p>折弯机模具</p> |
| <p>Liyuan,China Customized combined tools for Special products bending</p> |  <p>安徽力源数控刃模具制造有限公司</p> <p>折弯机模具</p> |

Safety Device

Side and rear Acrylic guard fence
Nice looking and clear to check



MSD Series
NUOVA ELETTRONICA,Italy
Laser protection
Safe and steady, reliable, Economical

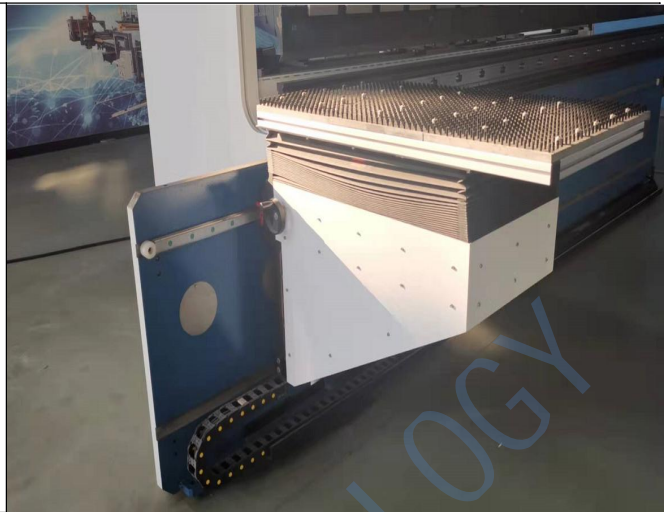


DSP Series
NUOVA ELETTRONICA,Italy
Laser protection
Safe and steady, reliable

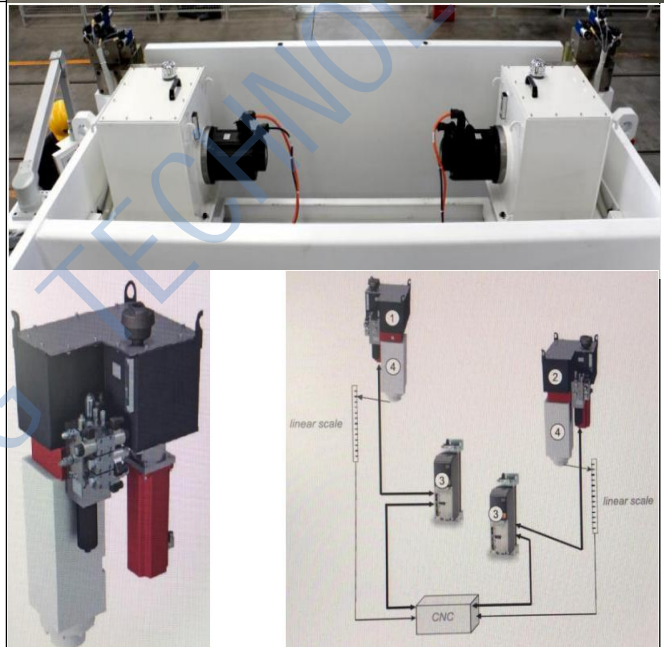


Accessibility

Follow up Front support table
More convenient to bend long work piece and save labor

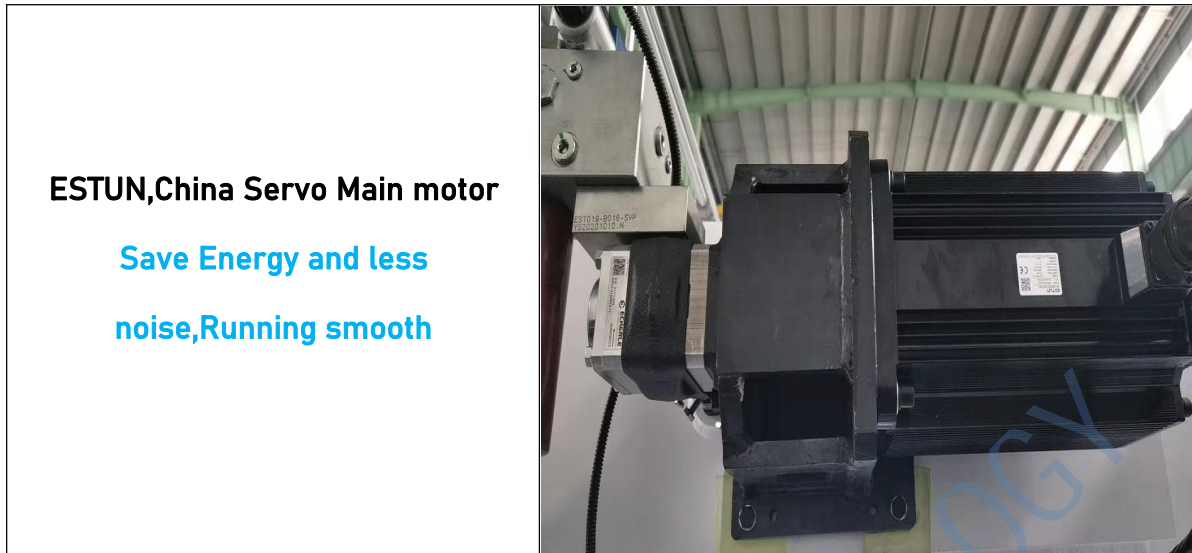


HAWE(HOERBIGER) Hybrid Systems
(Double Servo Pumps and Double Servo Main motors)
Save energy, Lower oil temperature, less noise
10% increase in performance; high efficiency - 50% increase in energy efficiency; environmental protection - greatly reduced hydraulic oil consumption



DATA-M from Germany NUOVA (ELETTRONICA, Italy)
Laser Check-Bending angle Measurement System
Testing and compensate bending angle, Make perfect First bending, Support DELEM ESA CYBELEC





Machine standard accessories

- | | |
|---------------------------------------|-----------|
| 1.Front support Arm | 2sets |
| 2.Moving foot pedal operating station | 1set |
| 3.Anchor bolt | 4pcs |
| 4.Simple tool and kits | 1 Package |
| 5.Oil Gun | 1pc |
| 6.O type ring Seal | 1Package |
| 7.Manual operation | 1pc |

Warranty

For Whole machine,its warranty is within 1 year under right operation
Whole Machine enjoys service after sales for whole using life

Producing Time

Within 35 days after receiving 30% deposit.

Remittance Information

Beneficiary: JIANGSU CHUANGHENG MACHINERY TECHNOLOGY CO.,LTD
Name of Bank: JIANGSU HAIAN RURAL COMMERCIAL BANK CO.,LTD
Address of Bank: No.88, changjiang middle road, haian county, jiangsu, China
A/C NO:3206210301140100007126
SWIFT:HRCBCNBN