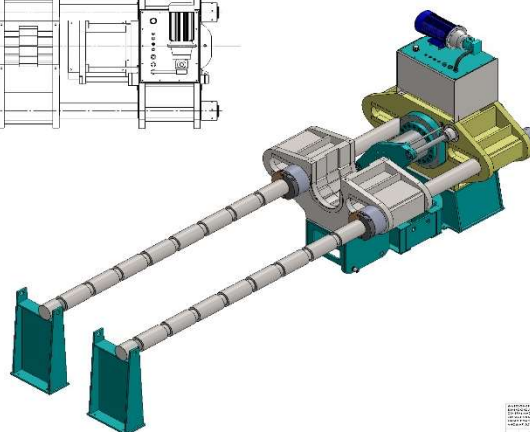
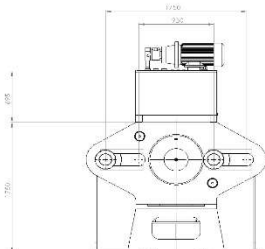
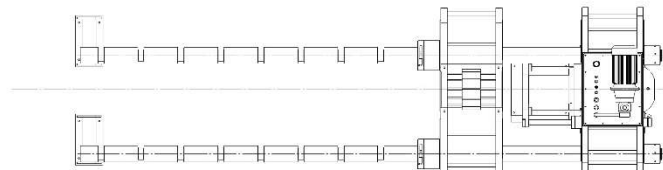
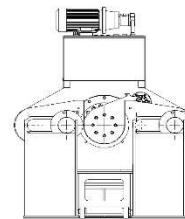
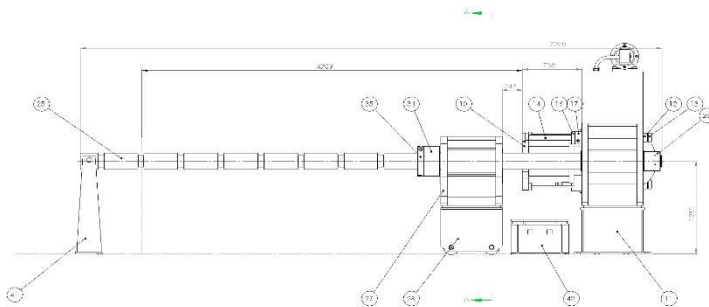
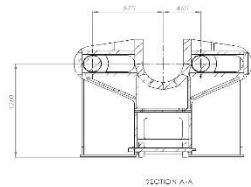


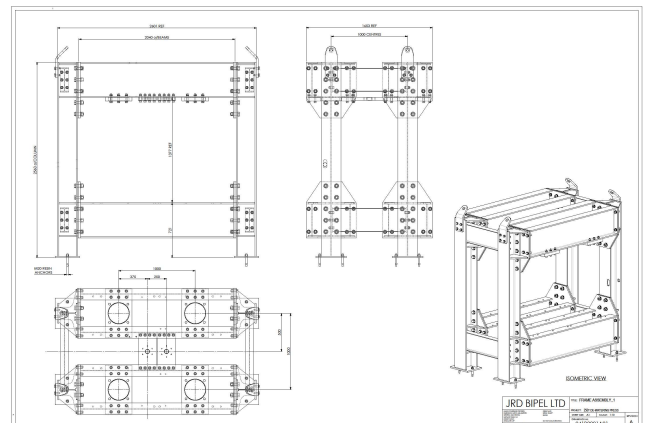
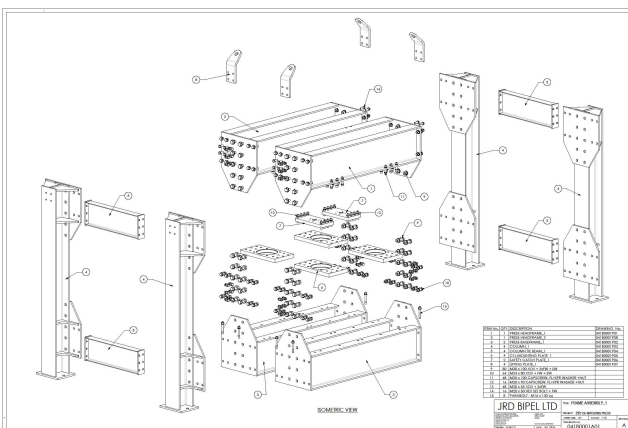
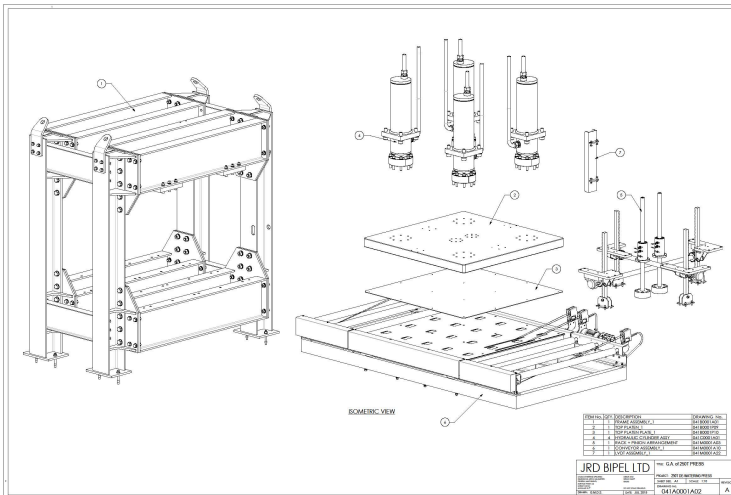
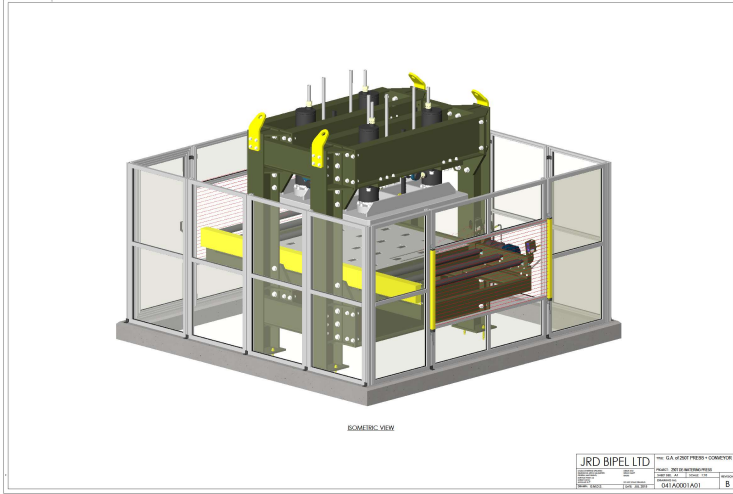
3500 kN Horizontal Press for the Gear Shaft Industry



ITEM NO.	PART NAME	PART NO.	QTY.
1	WHEEL	005000100	1
2	500 TONNER BODY	005000001	1
3	500 TONNER HOSE	005000002	1
4	500 TONNER HOSE	005000003	1
5	500 TONNER HOSE	005000004	1
6	500 TONNER HOSE	005000005	1
7	500 TONNER HOSE	005000006	1
8	500 TONNER HOSE	005000007	1
9	500 TONNER HOSE	005000008	1
10	500 TONNER HOSE	005000009	1
11	500 TONNER HOSE	005000010	1
12	500 TONNER HOSE	005000011	1
13	500 TONNER HOSE	005000012	2
14	500 TONNER HOSE	005000013	2
15	500 TONNER HOSE	005000014	2
16	500 TONNER HOSE	005000015	2
17	500 TONNER HOSE	005000016	2
18	500 TONNER HOSE	005000017	2
19	500 TONNER HOSE	005000018	2
20	500 TONNER HOSE	005000019	2
21	500 TONNER HOSE	005000020	2
22	500 TONNER HOSE	005000021	2
23	500 TONNER HOSE	005000022	2
24	500 TONNER HOSE	005000023	2
25	500 TONNER HOSE	005000024	2
26	500 TONNER HOSE	005000025	2
27	500 TONNER HOSE	005000026	2
28	500 TONNER HOSE	005000027	2
29	500 TONNER HOSE	005000028	2
30	500 TONNER HOSE	005000029	2
31	500 TONNER HOSE	005000030	2
32	500 TONNER HOSE	005000031	2
33	500 TONNER HOSE	005000032	2
34	500 TONNER HOSE	005000033	2
35	500 TONNER HOSE	005000034	2
36	500 TONNER HOSE	005000035	2
37	500 TONNER HOSE	005000036	2
38	500 TONNER HOSE	005000037	2
39	500 TONNER HOSE	005000038	2
40	500 TONNER HOSE	005000039	2
41	500 TONNER HOSE	005000040	2
42	500 TONNER HOSE	005000041	2
43	500 TONNER HOSE	005000042	2
44	500 TONNER HOSE	005000043	2
45	500 TONNER HOSE	005000044	2
46	500 TONNER HOSE	005000045	2
47	500 TONNER HOSE	005000046	2
48	500 TONNER HOSE	005000047	2
49	500 TONNER HOSE	005000048	2
50	500 TONNER HOSE	005000049	2
51	500 TONNER HOSE	005000050	2
52	500 TONNER HOSE	005000051	2
53	500 TONNER HOSE	005000052	2
54	500 TONNER HOSE	005000053	2
55	500 TONNER HOSE	005000054	2
56	500 TONNER HOSE	005000055	2
57	500 TONNER HOSE	005000056	2
58	500 TONNER HOSE	005000057	2
59	500 TONNER HOSE	005000058	2
60	500 TONNER HOSE	005000059	2
61	500 TONNER HOSE	005000060	2
62	500 TONNER HOSE	005000061	2
63	500 TONNER HOSE	005000062	2
64	500 TONNER HOSE	005000063	2
65	500 TONNER HOSE	005000064	2
66	500 TONNER HOSE	005000065	2
67	500 TONNER HOSE	005000066	2
68	500 TONNER HOSE	005000067	2
69	500 TONNER HOSE	005000068	2
70	500 TONNER HOSE	005000069	2
71	500 TONNER HOSE	005000070	2
72	500 TONNER HOSE	005000071	2
73	500 TONNER HOSE	005000072	2
74	500 TONNER HOSE	005000073	2
75	500 TONNER HOSE	005000074	2
76	500 TONNER HOSE	005000075	2
77	500 TONNER HOSE	005000076	2
78	500 TONNER HOSE	005000077	2
79	500 TONNER HOSE	005000078	2
80	500 TONNER HOSE	005000079	2
81	500 TONNER HOSE	005000080	2
82	500 TONNER HOSE	005000081	2
83	500 TONNER HOSE	005000082	2
84	500 TONNER HOSE	005000083	2
85	500 TONNER HOSE	005000084	2
86	500 TONNER HOSE	005000085	2
87	500 TONNER HOSE	005000086	2
88	500 TONNER HOSE	005000087	2
89	500 TONNER HOSE	005000088	2
90	500 TONNER HOSE	005000089	2
91	500 TONNER HOSE	005000090	2
92	500 TONNER HOSE	005000091	2
93	500 TONNER HOSE	005000092	2
94	500 TONNER HOSE	005000093	2
95	500 TONNER HOSE	005000094	2
96	500 TONNER HOSE	005000095	2
97	500 TONNER HOSE	005000096	2
98	500 TONNER HOSE	005000097	2
99	500 TONNER HOSE	005000098	2
100	500 TONNER HOSE	005000099	2
101	500 TONNER HOSE	005000100	2



2400 kN De-Watering Press



1250kN pelletizer/ performer and Mixer



4000 kN BIPEL Hydraulic Press with Automated Tool Changer for PTFE Moulding



10000 kN BIPEL Hydraulic Press for High Density Carbon Fibre Moulding



4500 kN BIPEL Hydraulic Press for High Density Carbon Fibre Moulding



500 kN Laboratory Heating and Cooling Hydraulic Press for High Temperature Material Moulding at 450°C



500 kN Embossing Press for the Packaging Industry



500 kN Compression Moulding Press for the Rubber Moulding Industry



500 kN Compression Press for the Alternative Energy Industry



750 kN Hydraulic Cutting Press for the Medical Industry



1200 kN Compression Moulding Press for the Automotive Industry



1500 kN BIPEL Hydraulic Press for Making brake pads



1500 kN BIPEL Hydraulic Press for the Bearing Industry



1500 kN Silicon Sheet Moulding Hydraulic Press



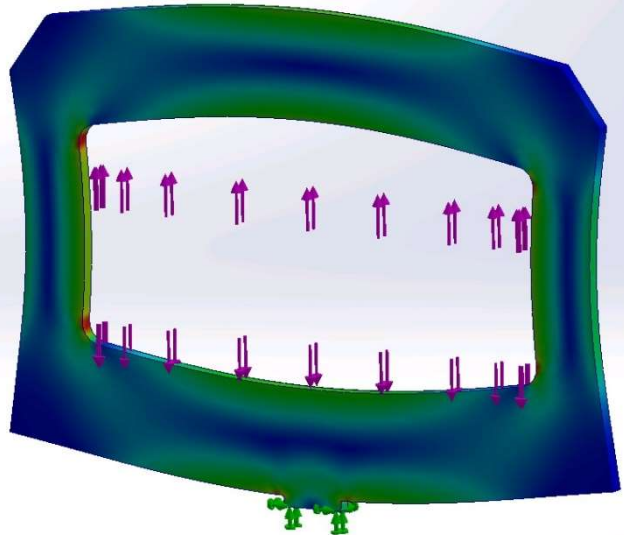
2000 kN Metal Powder Compaction Hydraulic Press



1500 kN BIPEL Hydraulic Press for the Defence Industry



In House SolidWorks Material Stress Test



3000 kN BIPEL Hydraulic Press for DMC Moulding



3000 kN BIPEL Hydraulic Press for the Aerospace Industry



4500 kN BIPEL Hydraulic Press for the Aerospace Industry



200 kN Rubber Moulding Press



5000 kN Compression Hydraulic Press with double Daylight for Large Rubber Seals



1500 kN Compression Hydraulic Press for the Defence Industry



400 kN Servo Motor Press for the Semiconductor Industry



400 kN Silicon Moulding Press



1000 kN Hot Clamping Press for Carbon Fibre Tube



100kN – 1000kN Laboratory presses



Re-engineered four column press for metal forming
Fitted with two cylinders



BIPEL 3000kN hydraulic press for composite metal forging



BIPEL 3000kN hydraulic press for metal drawing



500kn Insulation sheet compression press

