

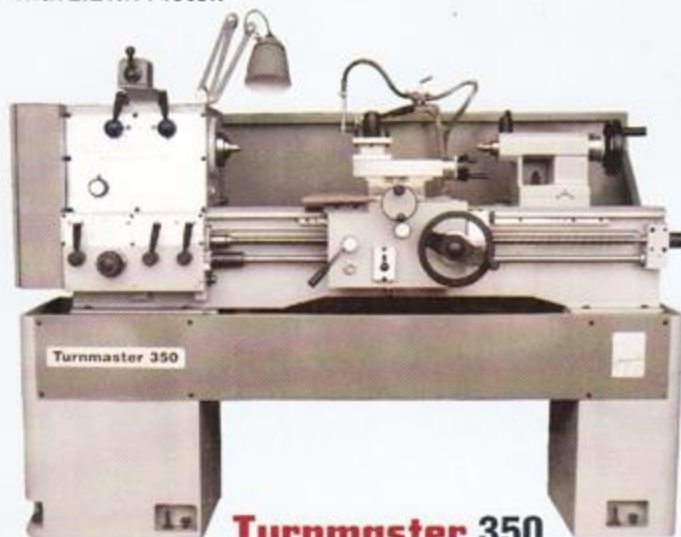
Turnmaster

All Geared Head Precision Lathe

An ISO 9001:2008 Certified Company



TURNMASTER 350 All Geared Head Lathe, comprising of Hardened and Ground Bed, American A2-4 Spindle Nose, R.H. Hand Wheel Apron, Square Tool Post and Electrical item suitable for 415V, 3hp, 50 cycles with 2.2 kw Motor.



Machine Equipped with

- Dead Centre with Centre Sleeve
- Dead Centre for Tailstock
- Toolkit
- Oil Gun
- Square Tool Post
- Machine Lamp
- Coolant Pump with Cock Equipment
- Thread Dial Indicator
- Dog Plate
- Rear Splash Guard

Salient Features : (For All Models)

- Hardened Ground prismatic guide ways for carriage
- Geared headstock with hardened and ground gears
- Main spindle rigid, accurate, hardened and ground mounted on P5 class Taper Roller Bearings
- Feed box designed for easy selection of wide range of feeds and threads.



Range of Models : Turnmaster 350 Series Lathes

- Model - S603 St. Bed Centre Height 175 mm ABC - 600
- Model - S803 St. Bed Centre Height 175 mm ABC - 800
- Model - G803 Gap Bed Centre Height 175 mm ABC - 800
- Model - S1003 St. Bed Centre Height 175 mm ABC - 1000
- Model - G1003 Gap Bed Centre Height 175 mm ABC - 1000

Turnmaster 350

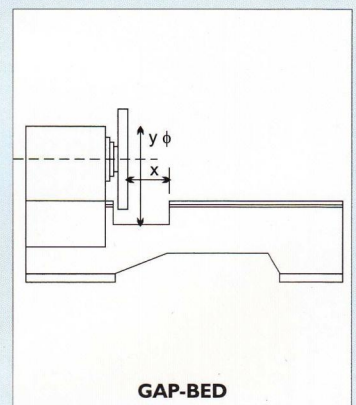
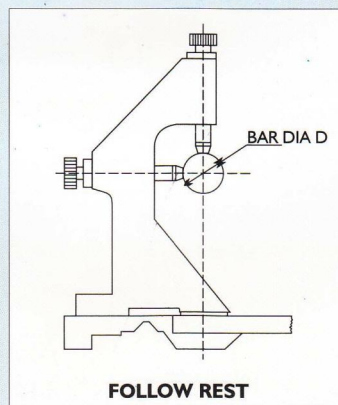
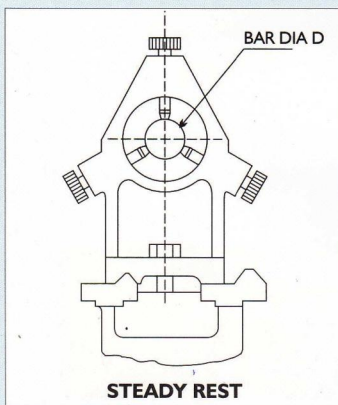
JINAGOUDRA MACHINE TOOLS PVT LTD.

Regd. Office : Mumbai, 170/2, Jot Society, Behind Sharada Talkies,
Jyotiba Pule Road, Dadar East, Mumbai 400 014

Phone : 022-2413 1213 M:932 333 1213 & 922 22 566 66

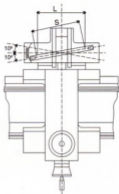
TECHNICAL SPECIFICATION :

Description	TM 350	TM 400	TM 450	Description	TM 350	TM 400	TM 450
Capacity				Speeds			
Height of the Centres	175 (7")	200 (8")	235 (9")	No. of Speeds	8	8	18
Swing over bed	350 (14")	400 (16")	470 (18")	Range	71-1800	71-1600	40-2000
Swing over cross slide	200 (8")	250 (10")	280 (11")	Feeds			
Swing in Gap "Y φ"	510 (20")	560 (22")	650 (25")	No. of Longitudinal Feeds	24	24	48
Distance in front of face plate in Gap 'X'	140 (5.5")	140 (5.5")	130 (5")	Range of Feeds	0.045 to 0.63	0.045 to 0.63	0.04 to 2.24
Diameter of face Plate in Gap	510 (20")	510 (20")	560 (25")	No. of Transverse Feeds	24	24	48
Distance between Centres				Range of Feeds	0.015 to 0.21	0.015 to 0.21	0.012 to 0.7
ABC 600	600 (23")			Ratio of Transverse Feed to Longitudinal Feeds	1/3	1/3	1/3
ABC 800	800 (31")	800 (31")		Threads			
ABC 1000		1000 (40")		No. of metric threads	24	24	37
ABC 1500		1500 (60")	1250 (50")	Range	0.5 to 7	0.5 to 7	0.25 to 14
ABC 1250			1650 (65")	No. of inch threads	24	24	48
ABC 1650			2000 (80")	Range	56 to 4TPI	56 to 4TPI	112 to 2 TPI
ABC 2000				No. of Module Threads	24	18	27
Cross Slide Travel	185 (7.5")	185 (7.5")	210 (8.5")	Range	0.4 to 3.5	0.25 to 1.75	0.125 to 7
Cross Slide Resolution	0.02 mm	0.02 mm	0.02 mm	No. of DP Threads	24	18	45
Bed				Range	8 to 70	16-112	4 to 224
Bed Type	2V, 2 flat	2V, 2 flat	2V, 2 flat	Maximum Weight of Work piece held between Chuck and Tail Stock Centre			
Bed Width	244	244	315	Dead centre	185	185	315
Bed Length				Live Centre	150	150	250
ABC 600	1458 (5')			Electricals			
ABC 800	1700 (6')	1700 (6')		Main Motor	2.2Kw (3HP)	3.7Kw (5HP)	5.5Kw (7.5HP)
ABC 1000		1900 (6.5')		Power Supply	415V 3phase 50 cycles A/C supply	415V 3phase 50 cycles A/C supply	415V 3phase 50 cycles A/C supply
ABC 1500		2388 (8')	2225 (7.5')	Coolant Tank Capacity	20 ltrs	20 ltrs	30 ltrs
ABC 1250			2625 (8.5')	Weight			
ABC 1650			2975 (10')	ABC 600	600 kg		
ABC 2000				ABC 800	800 kg		
Main Spindle				ABC 1000		1000 kg	
Spindle Nose	A2-4	A2-6	A2-6	ABC 1500		1450 kg	
Spindle Taper Bore	Metric 45	Metric 60	Metric 60	ABC 1250			1550 kg
Taper Bore in Centre Sleeve	MT 3	MT 3	MT 4	ABC 1650			1750 kg
Spindle Bore	40	55	55	ABC 2000			1950 kg
Tail Stock							
Quill Diameter	50	50	60				
Taper Bore in Spindle	MT3	MT3	MT4				
Quill Travel	140 (5.5")	140 (5.5")	150 (6")				
Tool Slide							
Travel Top Slide	100 (4")	100 (4")	125 (5")				
Tool Shank Section	20 x 20	25 x 25	25 x 25				
Tool Slide Resolution	0.02	0.02	0.02				
Lead Screw							
Lead Screw Diameter	25.4	30	30				
Pitch	6.0	6.0	6.0				



TECHNICAL SPECIFICATION :

Description	TM 350	TM 400	TM 450	
Floor Space				
L x B	600 ABC	1800 x 850 (6'x3')		
	800 ABC	2000 x 850 (6.5'x3')		
	1000 ABC	2200x850 (7.5'x3')		
	1500 ABC	2700x850 (9'x3')		
	1250 ABC		2520x950 (8.5'x3.5')	
	1650 ABC		2920x950 (10'x3.5')	
	2000 ABC		3290x950 (11'x3.5')	
Capacity of Steady Rest Bar Dia 'D'				
Pad Type	Minimum Dia	10 (0.5")	10 (0.5")	10 (0.5")
	Maximum Dia	100 (4")	100 (4")	125 (5")
Roller Type	Minimum Dia	10 (0.5")	10 (0.5")	10 (0.5")
	Maximum Dia	75 (3.0")	75 (3.0")	100 (4")
Capacity of Follow Rest Bar Dia 'D'				
Pad Type	Minimum Dia	10 (0.5")	10 (0.5")	10 (0.5")
	Maximum Dia	100 (4")	100 (4")	100 (4")
Roller Type	Minimum Dia	10 (0.5")	10 (0.5")	10 (0.5")
	Maximum Dia	75 (3.0")	75 (3.0")	75 (3.0")
Capacity of taper Turning Attachment				
Maximum Taper Angle on either side		10°	10°	10°
Stroke 'S'		175 (7")	175 (7")	300 (12")
Maximum Turning Length 'L'		125 (5")	125 (5")	240 (10")



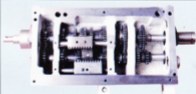
**TELESCOPIC
TAPER TURNING ATTACHMENT**

Specification and design characteristics are subject to change without prior notice.

Please visit our website for latest updates.



HEAD STOCK (TM 350/400)
(Designed to give 8 speeds with
Hardened & Ground gears)



FEED BOX (TM 350/400)
(Designed to give more Threading
& Feed options with Induction
Hardened & Toughened gears)



APRON (TM 350/400)
Designed for easy engage & disengage
with Overload tripping arrangements

Turnmaster

All Geared Head Precision Lathe

An ISO 9001: 2008 Certified Company



Turnmaster 400

TURNMASTER 400 : All Geared Head Lathe , comprising of Hardened and Ground Bed, American A2-6 Spindle Nose, R.H. Hand Wheel Apron, Square Tool Post and Electrical item suitable for 415V, 5hp, 50 cycles with 3.7 kw Motor.

Range of Models : Turnmaster 400 Series Lathes

- Model - S 805 Bed Centre Height 200 mm ABC - 800
- Model - G 805 Gap Bed Centre Height 200 mm ABC - 800
- Model - S 1005 St. Bed Centre Height 200 mm ABC - 1000
- Model - G 1005 Gap Bed Centre Height 200 mm ABC - 1000
- Model - S 1505 St. Bed Centre Height 200 mm ABC - 1500
- Model - G 1505 Gap Bed Centre Height 200 mm ABC - 1500

Machine Equipped with : (TM 400 & TM 450)

- Dead Centre with Centre Sleeve
- Dead Centre for Tailstock
- Tool Kit
- Oil Gun
- Square Tool Post
- Machine Lamp
- Coolant Pump with cook Equipment
- Maintained Contact Shaft for Spindle Operating
- Thread Dial Indicator
- Dog Plate
- Electro Magnetic Brake with Foot Pedal



Turnmaster 450

TURNMASTER 450 : All Geared Head Lathe, comprising of Hardened and Ground Bed, American A2-6 Spindle Nose, R.H. Hand Wheel Apron, Square Tool Post and Electrical item suitable for 415V, 7.5hp, 50 cycles with 5.5 kw Motor.

Range of Models : Turnmaster 450 Series Lathes

- Model - S 1257 St. Bed Centre Height 235 mm ABC - 1250
- Model - G 1257 Gap Bed Centre Height 235 mm ABC - 1250
- Model - S 1657 St. Bed Centre Height 235 mm ABC - 1650
- Model - G 1657 Gap Bed Centre Height 235 mm ABC - 1650
- Model - S 2007 St. Bed Centre Height 235 mm ABC - 2000
- Model - G 2007 Gap Bed Centre Height 235 mm ABC - 2000

turnmaster@gmail.com

JINAGOUDRA MACHINE TOOLS PVT LTD.

Dharwad - Hubli Road, Sattur, DHARWAD - 580 009 KARNATAKA

Telephone : 0836-2461000, 2462000, 2463000, 2464000 & 2465000

Website : www.jinamachinetools.com E mail: turnmaster@gmail.com

TIN No: 29670236081 CST No. 4186324-0 Exc.Reg.No. AABCJ4737FXM001

M: 93 43 95 95 00/ 93 43 95 96 00 / 93 43 95 97 00

Printed at Brindavan Printers, Dharwad 9342227752